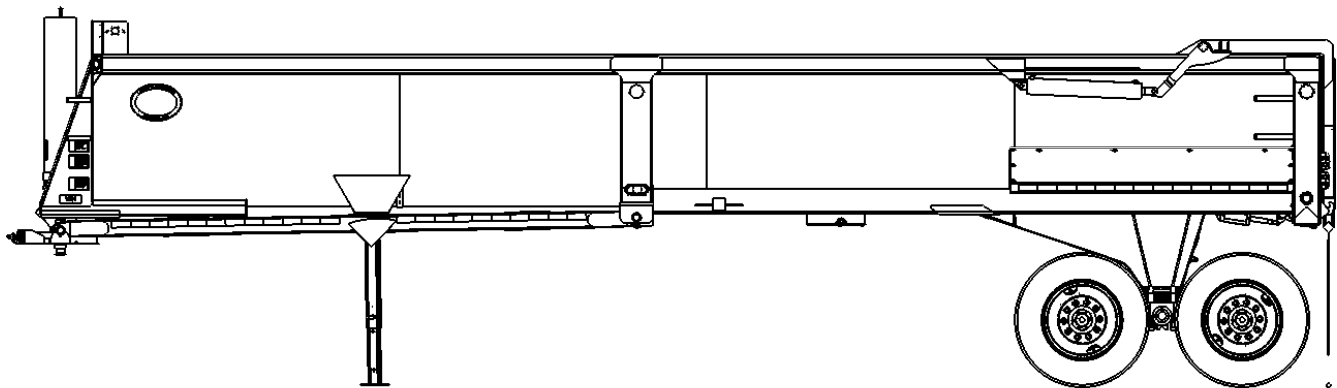


PARTS BOOK



STANDARD FRAMELESS HALF ROUND TRAILER
32' LENGTH 48" SIDE HEIGHT

CONSTRUCTION TRAILER SPECIALISTS, INC.

2535 ROSE PARKWAY
SIKESTON, MO 63801
TOLL FREE: 888-669-0003
PH: 573-481-0941
FX: 573-481-0953
E-MAIL: parts@trailerbuilders.com
www.constructiontrailerspecialsts.com

Thanks for choosing Construction Trailer Specialists, Inc., we manufacture a line of trailers in a size to fit your needs.

-End dump trailers in Half Round or Elliptical configurations available Frameless, Quarter Frame or Full Frame. Elliptical scrap/demo trailers available in lengths from 22 to 40 ft, with 46-100 inch sides.

-Bottom dump trailers in 32-42 ft lengths, with Low Profile, and Lightweight versions available.

-Grain trailers in 34-42 ft lengths.

-Walking floor trailers

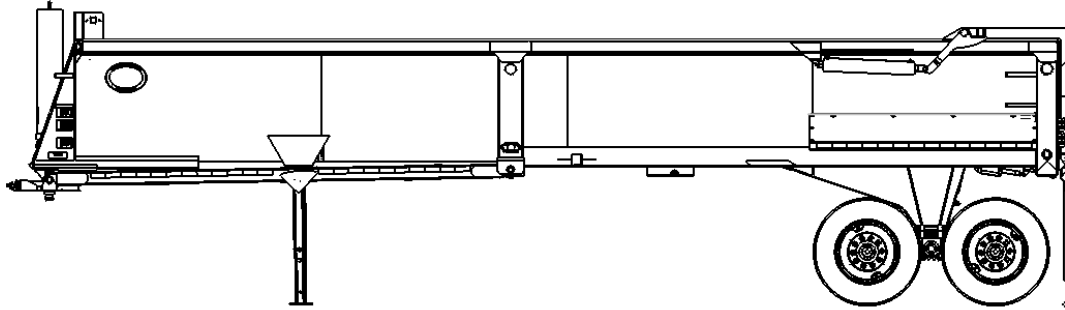
-In addition, we offer a variety of suspension and tarp options to suit your needs.

When ordering parts be sure to have the trailer's vehicle identification number (VIN) at hand so we can be sure to get you the correct parts for your trailer.

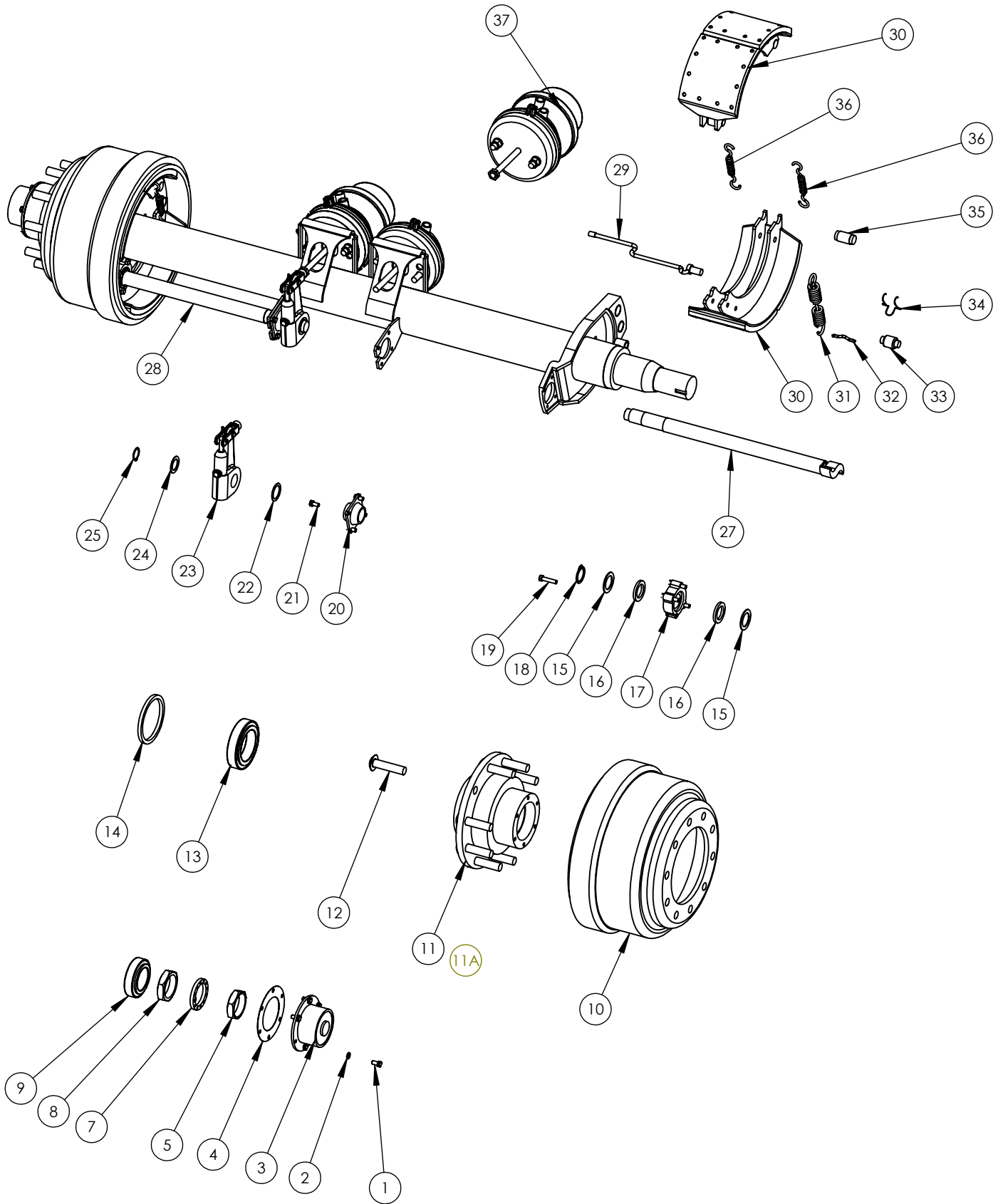
Remember this parts book is for a "standard" trailer, if your trailer is not standard dimensions some parts may not interchange with those listed here, contact the factory if you are unsure.

We will be working on, adding to, and improving this and other parts books in the near future. We welcome any comments or suggestions on how we may make them work better for you. Thanks again!!!

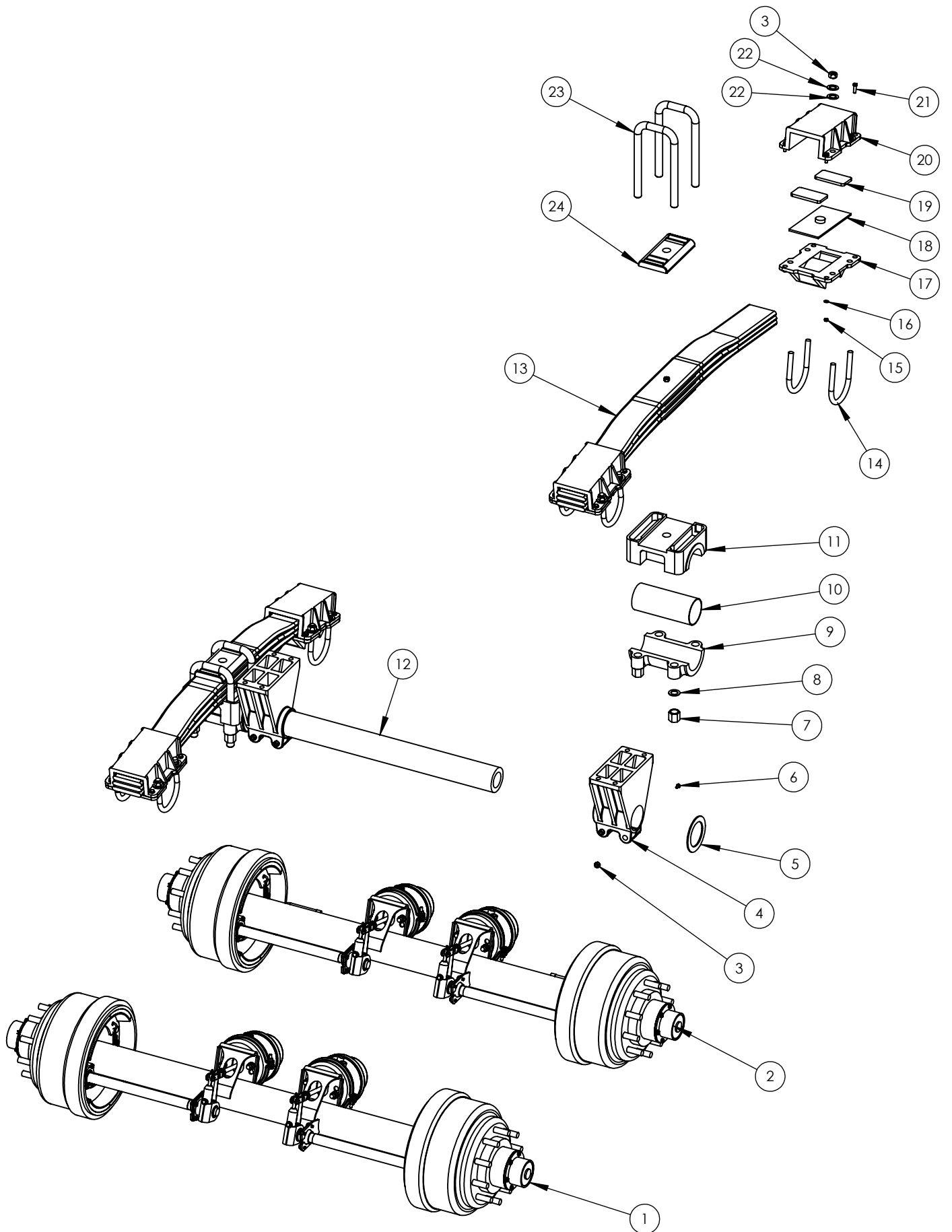
TABLE OF CONTENTS



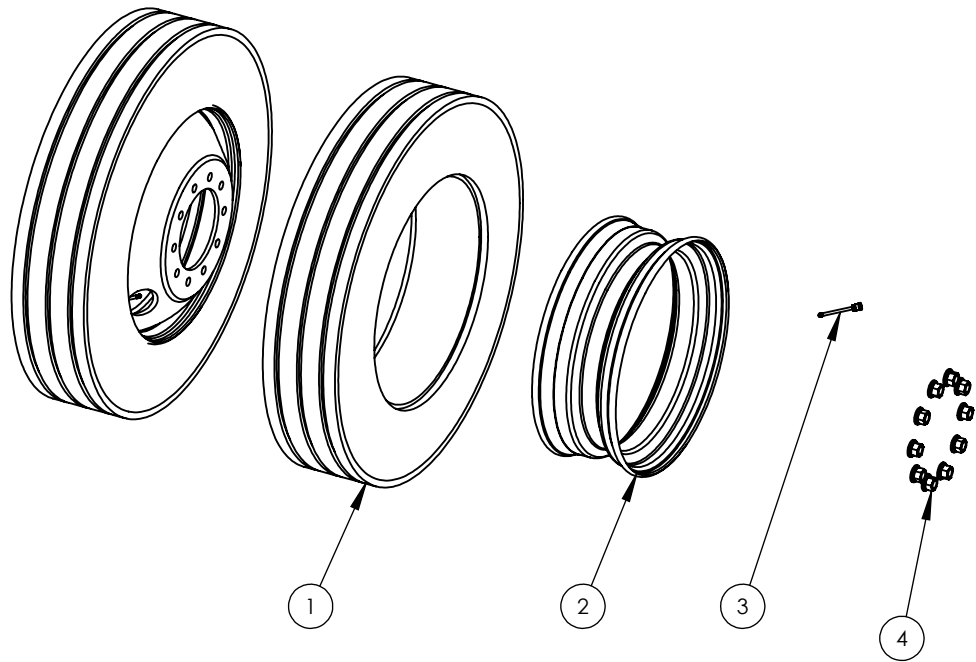
DESCRIPTION	PAGE
BRAKES	2-3
SUSPENSION	4-5
WHEELS	6
SUSPENSION BOGEY POD	7
MAIN BODY	8-9
REAR BODY BRACE	10-11
BODY FRONT	12
MIDDLE BODY BRACE	13
REAR GATE	14-15
REAR GATE LATCH	16
DRAFT ARM	17
FIFTH WHEEL	18
FENDERS	19
WIRING	20-21
PLUMBING	22-23
GATE VALVE ASSEMBLY	24
DECALS	25



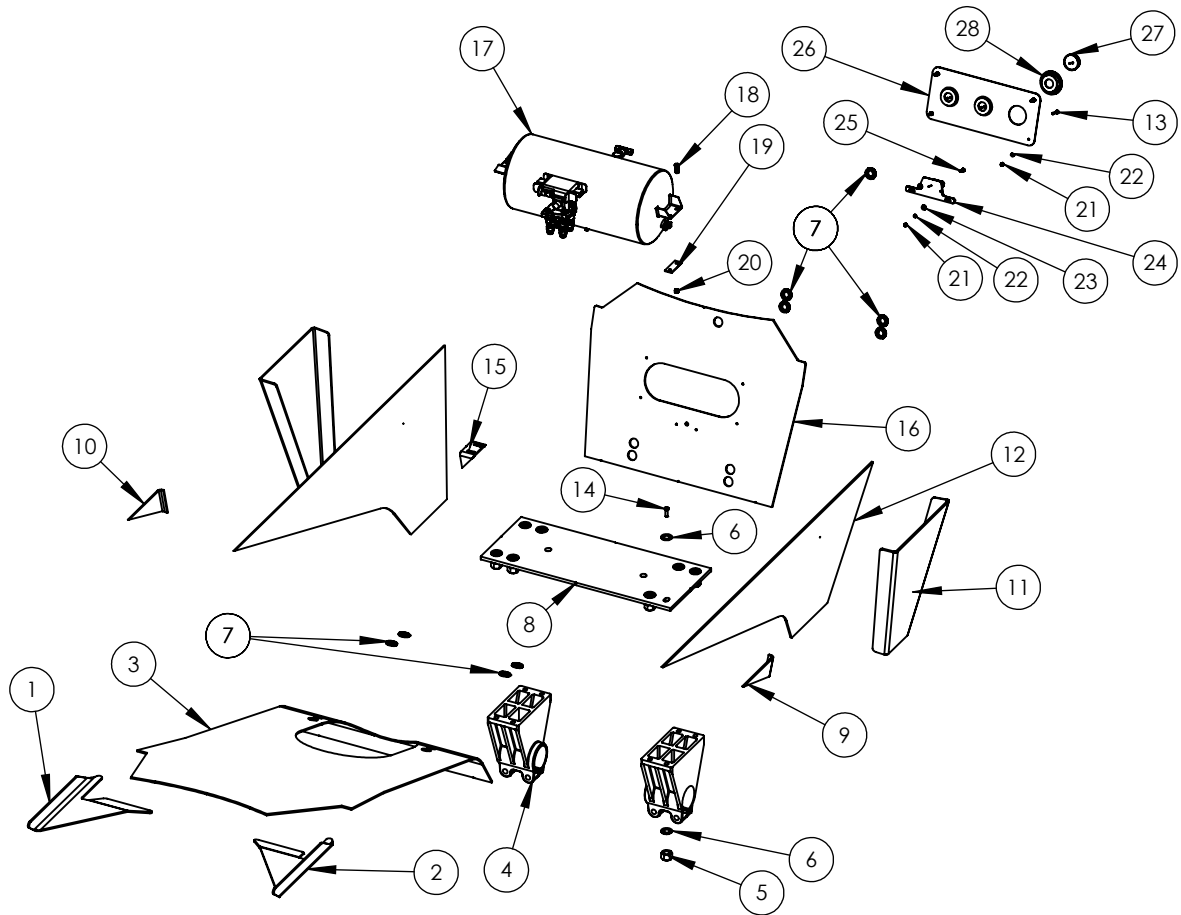
ITEM #	DESCRIPTION	QTY PER AXLE
1	BOLT, 5/16-18 UNC X 3/4"	12
2	LOCK WASHER, 5/16"	12
3	HUBCAP, INCLUDES ITEM 4	2
4	HUBCAP GASKET	2
5	WHEEL BEARING JAM NUT	2
7	WHEEL BEARING LOCK WASHER	2
8	WHEEL BEARING ADJUSTING NUT	2
9	OUTER WHEEL BEARING	2
10	BRAKE DRUM	2
11	HUB WITH ABS TOOTH WHEEL (REAR AXLE ONLY)	2
11A	HUB WITHOUT ABS TOOTH WHEEL (FRONT AXLE ONLY)	2
12	WHEEL STUD	20
13	INNER WHEEL BEARING	2
14	WHEEL BEARING SEAL	2
	CAM BUSHING KIT, ITEMS 15-22, 24, 25	2
15	WASHER	4
16	SEAL	4
17	CAMSHAFT BUSHING, OUTER	2
18	SNAP RING	2
19	BOLT	8
20	CAMSHAFT BUSHING, INNER	2
21	BOLT	8
22	WASHER	2
23	SLACK ADJUSTER ASSEMBLY	2
24	WASHER	2
25	SNAP RING	2
27	CAMSHAFT, LEFT	1
28	CAMSHAFT, RIGHT	1
29	ABS SENSOR (REAR AXLE ONLY)	2
	BRAKE KIT, ITEMS 30-36	2
30	BRAKE SHOE	4
31	BRAKE SHOE RETURN SPRING	2
32	PIN, BRAKE SHOE RETURN SPRING	4
33	BRAKE SHOE ROLLER	4
34	RETAINER, BRAKE SHOE ROLLER	4
35	ANCHOR PIN	4
36	BRAKE SHOE RETAINING SPRING	4
37	AIR CHAMBER	2



ITEM #	DESCRIPTION	QTY
1	FRONT AXLE	1
2	REAR AXLE	1
3	LOCKNUT, 3/4-16 UNF	20
4	TRUNION HANGER	2
5	TRUNION WASHER	2
6	BOLT, 3/4-16 UNF X 4.5" GR5	4
7	NUT, 1 1/8-12 UNF X 1.5" THICK	8
8	WASHER, 1 1/4"ID X 2 1/4"OD X 1/8" THICK	8
9	LOWER TRUNION HUB	2
10	TRUNION BUSHING, FREE OSCILLATING	2
11	UPPER TRUNION HUB	2
12	TRUNION TUBE	1
13	SPRING	2
14	AXLE U-BOLT	8
15	LOCKNUT, 5/8-18 UNF	16
16	WASHER, 2 1/32" OD X 1 15/16" ID X 1/8"	16
17	SPRING SEAT	4
18	ADJUSTMENT PLATE	4
19	RUBBER PAD	8
20	SPRING END CAP	4
21	BOLT, 5/8-18 UNF X 2", GR5	16
22	WASHER, 13/16"ID X 1 1/2"OD X 1/8"	32
23	TRUNION U-BOLT	4
24	TOP PLATE	2

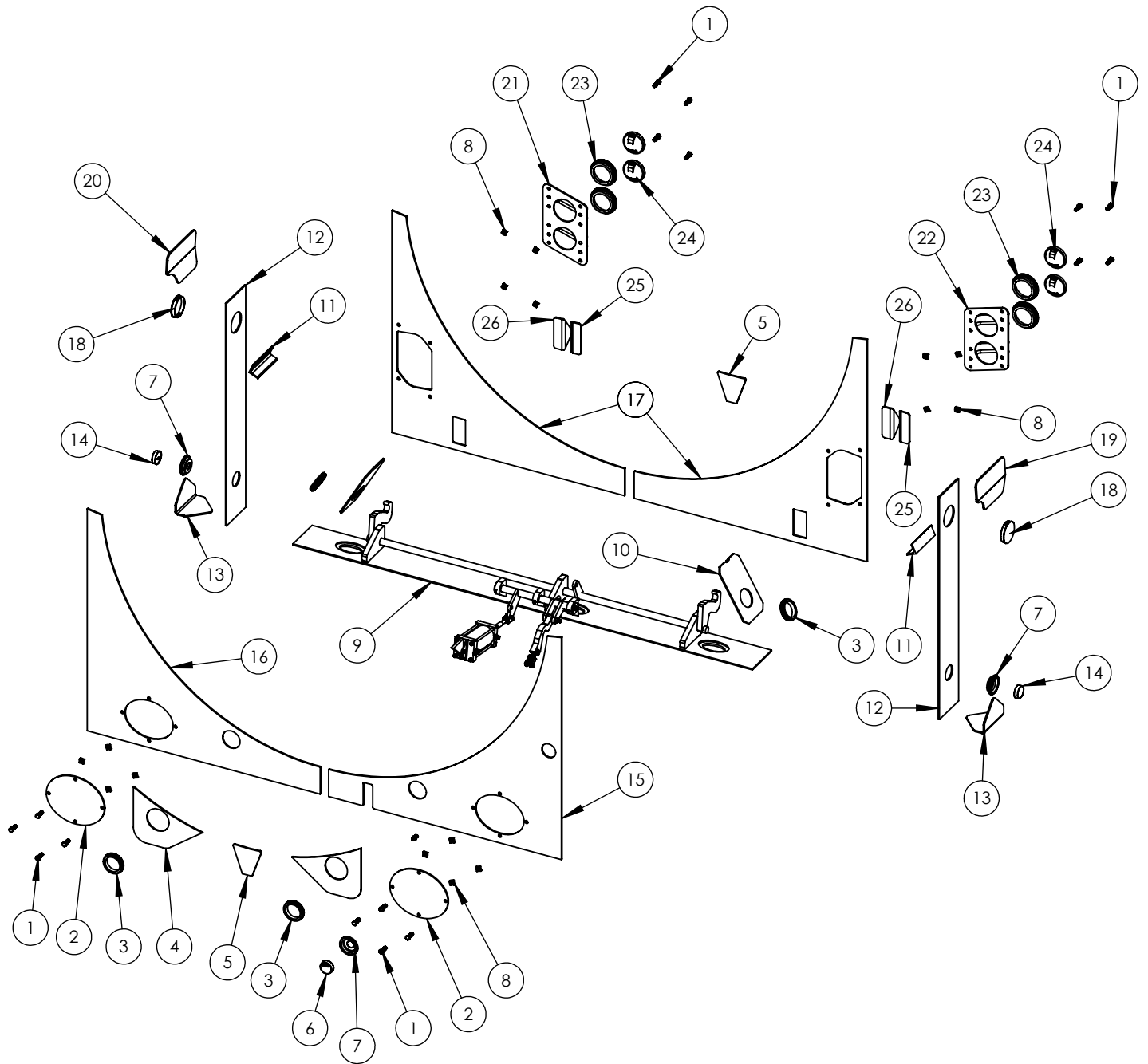


ITEM #	DESCRIPTION	QTY PER TRAILER
1	TIRE	8
2	RIM	8
3	VALVESTEM	8
4	LUGNUT	40

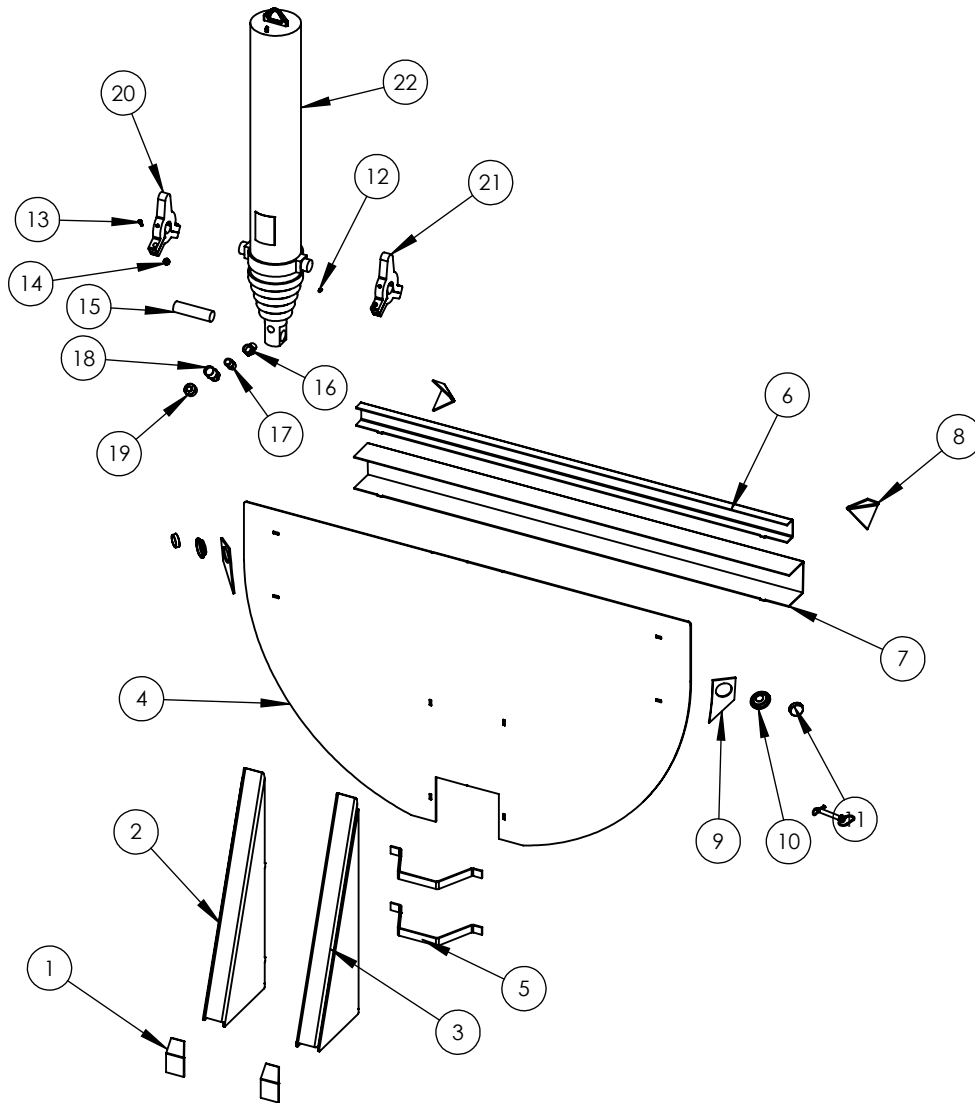


ITEM#	DESCRIPTION	QTY
1	BOGEY POD/LONGITUDINAL FRAME BRACE, RIGHT	1
2	BOGEY POD/LONGITUDINAL FRAME BRACE, LEFT	1
3	BOGEY POD FRONT PLATE	1
4	SUSPENSION TRUNION HANGER	2
5	LOCKNUT, 5/8-11 UNC	8
6	5/8" MACHINE BUSHING	16
7	1" GROMMET	9
8	BOGEY POD BOTTOM PLATE	1
9	BOGEY POD CORNER GUSSET, LEFT	1
10	BOGEY POD CORNER GUSSET, RIGHT	1
11	BOGEY POD BRACE CHANNEL	2
12	BOGEY POD SIDE PLATE	2
13	BOLT, 1/4-20 UNC X 1.5"	4
14	BOLT, 5/8-11 UNC X 2.25" GR5	8
15	AIRTANK BRACKET	2
16	BOGEY POD REAR PLATE	1
17	AIRTANK ASSEMBLY, SEE PAGE 22-23	
18	BOLT, 3/8-16 UNC X 1.5"	4
19	AIRTANK MOUNTING PAD	2
20	NUT, 3/8-16 UNC	4
21	NUT, 1/4-20 UNC	6
22	LOCKWASHER, 1/4"	6
23	FLATWASHER, 1/4"	2
24	LICENSE PLATE BRACKET	1
25	BOLT, 1/4-20 UNC X 1"	2
26	BOGEY POD REAR COVER PLATE	1
27	CLEARANCE LIGHT, RED	3
28	FLUSH GROMMET, CLEARANCE LIGHT	3

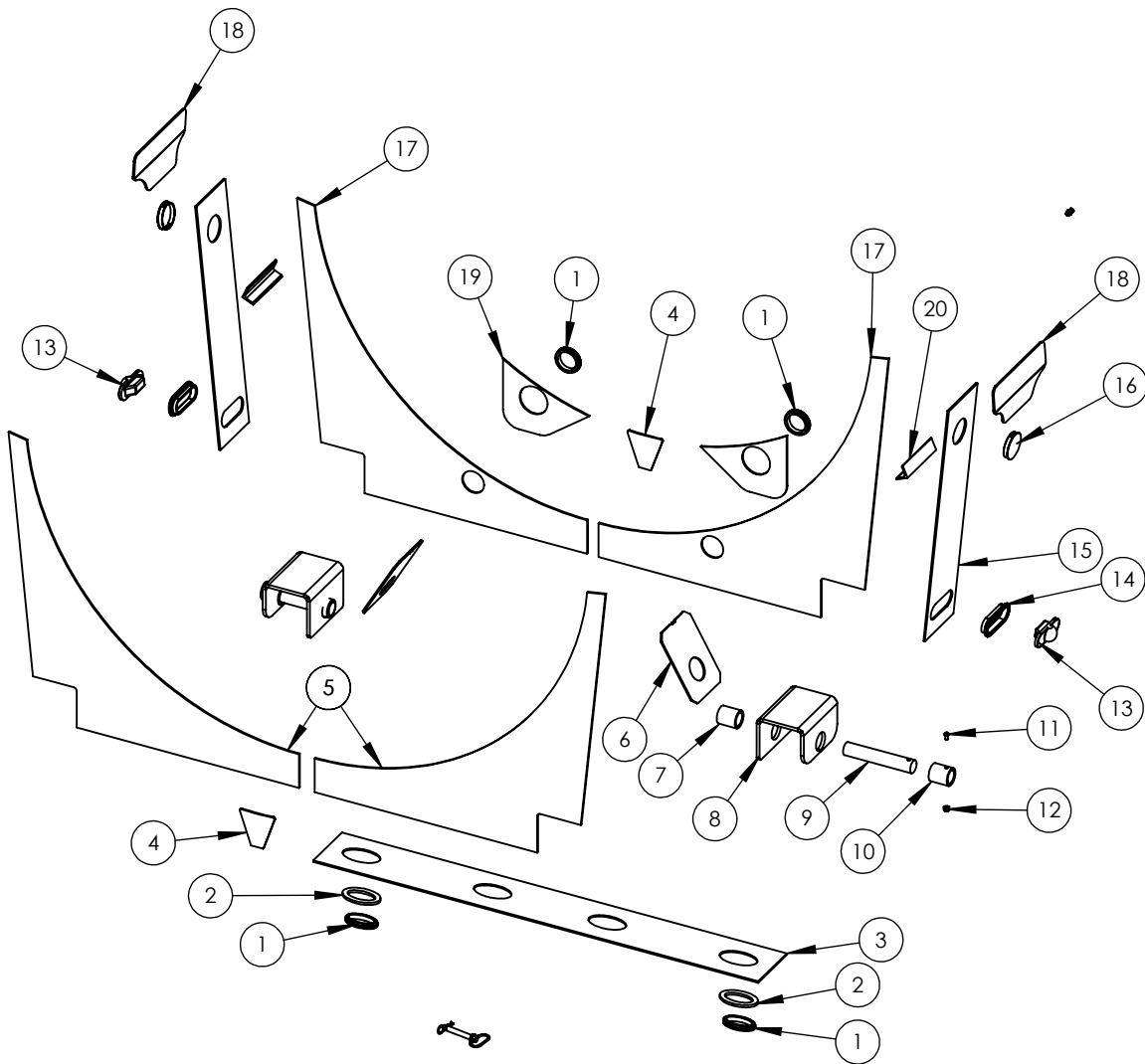
ITEM#	DESCRIPTION	QTY
1	TOP RAIL REAR END CAP	2
2	GATE CYLINDER DIRT SHEDDER	2
3	GATE CYLINDER FRONT BRACKET, LEFT	1
4	GATE CYLINDER FRONT BRACKET, RIGHT	1
5	TOP RAIL FRONT END CAP	2
6	TUB, SOLD BY 8 FOOT SECTION	
7	NOSE ASSEMBLY, SEE PAGE 12	
8	NOSE/TOP RAIL GUSSET, RIGHT	1
9	NOSE/TOP RAIL GUSSET, LEFT	2
10	TUB SECTION JOINT COVER STRAP	1
11	VALVE BRACKET	1
12	DRAFT ARM PEDESTAL	2
13	FRONT LONGITUDINAL FRAME END CAP	2
14	FRONT LONGITUDINAL FRAME	2
15	FRONT LONGITUDINAL FRAME SIDE COVER	2
16	FRONT LONGITUDINAL REINFORCEMENT CHANNEL	2
17	DRAFT ARM CRADLE	2
18	REAR LONGITUDINAL FRAME WELD PLATE	4
19	OVAL CUTOUT	8
20	3" GROMMET	5
21	TARP BRACKET	2
22	REAR LONGITUDINAL FRAME REINFORCEMENT PLATE	2
23	SIDE LADDER RUNG, LOWER	1
24	SIDE LADDER RUNG, UPPER	1
25	REAR LONGITUDINAL FRAME, LEFT	1
26	REAR LONGITUDINAL FRAME, RIGHT	1
27	MIDDLE BODY BRACE ASSEMBLY, SEE PAGE 13	
28	DOGHOUSE COVER	1
29	REAR BODY BRACE ASSEMBLY, SEE PAGE 10-11	
30	TOP RAIL, REPAIR SECTION SOLD BY THE FT (XX=FEET)	



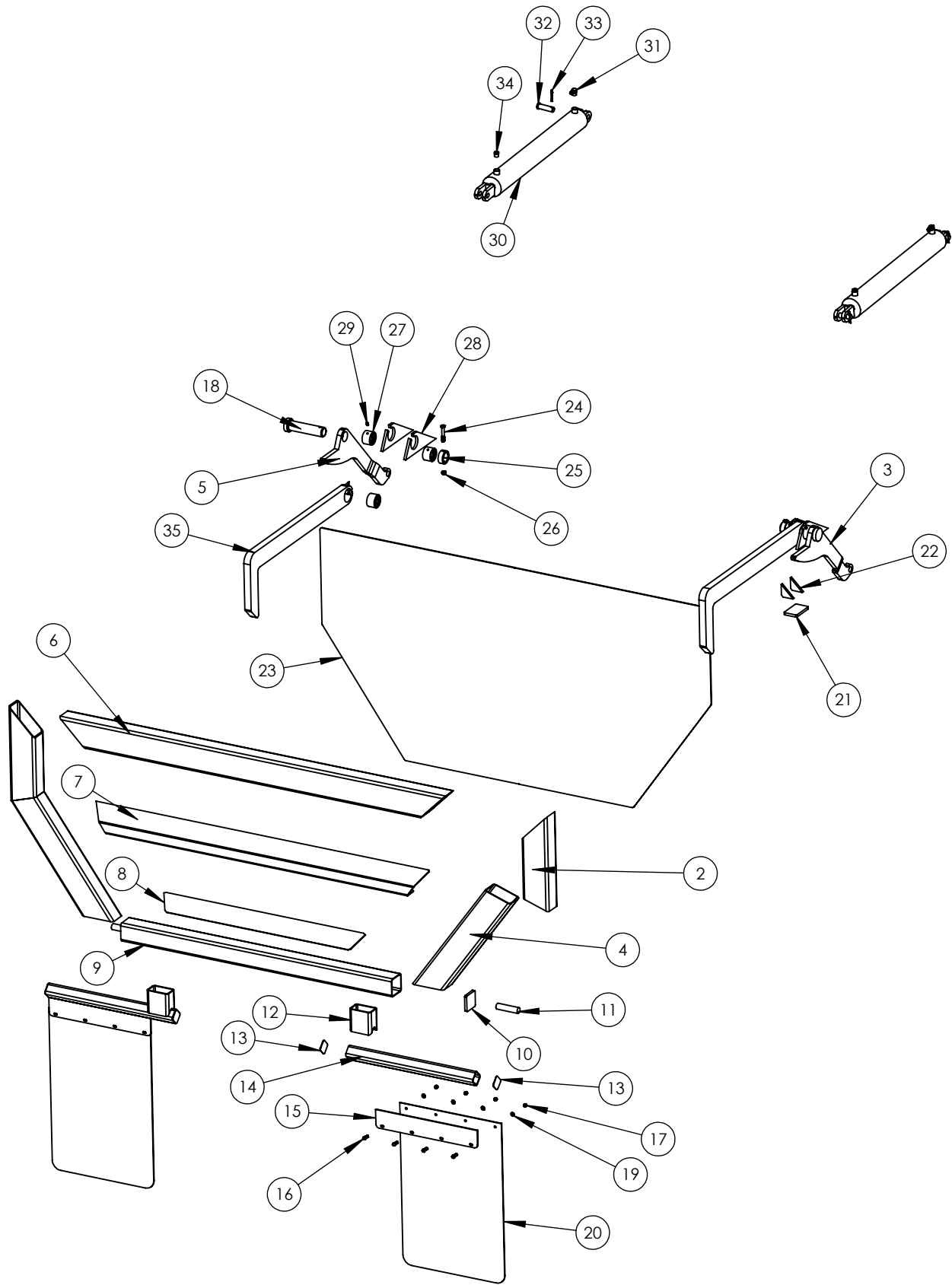
ITEM#	DESCRIPTION	QTY
1	BOLT, 1/2-13 UNC X 1"	16
2	REAR BODY BRACE ACCESS COVER	2
3	3" GROMMET	4
4	REAR LONGITUDINAL FRAME WELD PLATE	2
5	BODY BRACE CENTER CONNECTOR PLATE	2
6	ABS LIGHT	1
7	FLUSH GROMMET, CLEARANCE LIGHT	3
8	SQUARE NUT, 1/2-13 UNC	16
9	BOTTOM LATCH ASSEMBLY, SEE PAGE 16	
10	REAR BODY BRACE INSIDE PLATE	2
11	REAR BODY BRACE STIFFENER	2
12	REAR BODY BRACE SIDE PLATE	2
13	REAR BODY BRACE CORNER PLATE	2
14	CLEARANCE LIGHT, RED	2
15	REAR BODY BRACE FRONT PLATE, LEFT	1
16	REAR BODY BRACE FRONT PLATE, RIGHT	1
17	REAR BODY BRACE REAR PLATE	2
18	BODY BRACE UPPER ACCESS COVER, DOME PLUG	2
19	REAR BODY BRACE GUSSET, LEFT	1
20	REAR BODY BRACE GUSSET, RIGHT	1
21	TAILLIGHT PLATE, RIGHT	1
22	TAILLIGHT PLATE, LEFT	1
23	TAILLIGHT GROMMET	4
24	TAILLIGHT	4
25	LATCH HOOK GUARD, LEFT	2
26	LATCH HOOK GUARD, RIGHT	2



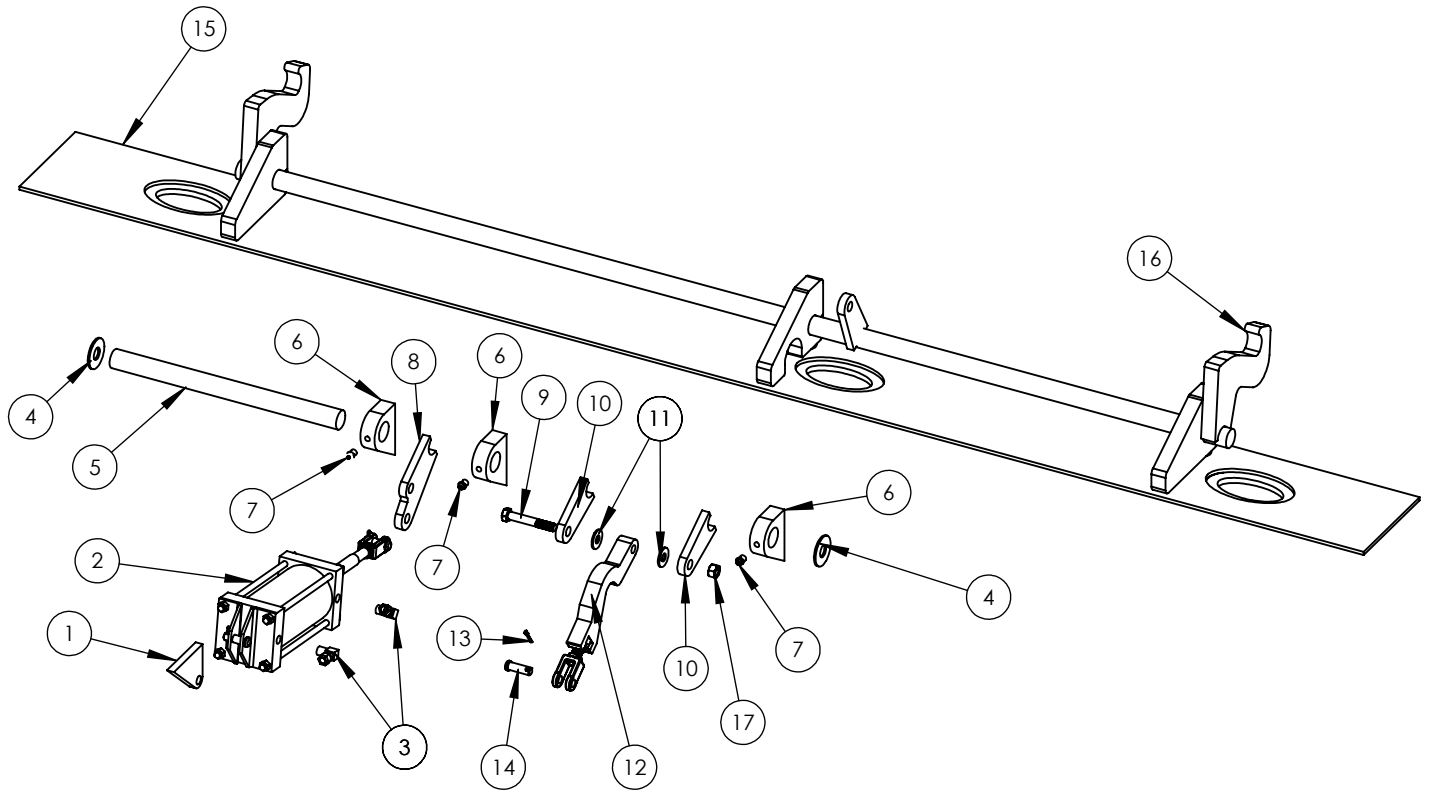
ITEM#	DESCRIPTION	QTY
1	CYLINDER MOUNT CHANNEL CAP	2
2	CYLINDER MOUNT CHANNEL, RIGHT	1
3	CYLINDER MOUNT CHANNEL, LEFT	1
4	NOSE PLATE	1
5	LADDER RUNG	3
6	SMALL INSIDE NOSE CHANNEL	1
7	LARGE INSIDE NOSE CHANNEL	1
8	INSIDE GUSSET	2
9	TOP RAIL FRONT END CAP	2
10	FLUSH GROMMET, CLEARANCE LIGHT	2
11	AMBER CLEARANCE LIGHT	2
12	GREASE ZERK	1
13	BOLT, 3/4-10 UNC X 3.5" GR5	4
14	LOCKNUT, 3/14-10 UNC	4
15	CYLINDER PIN	1
16	45 DEGREE MALE-FEMALE FITTING, 1" NPT	1
17	1" NPT NIPPLE	1
18	HYDRAULIC COUPLER	1
19	CAP, HYDRAULIC COUPLER	1
20	UPPER CYLINDER MOUNT, RIGHT	1
21	UPPER CYLINDER MOUNT, LEFT	1
22	CYLINDER	1



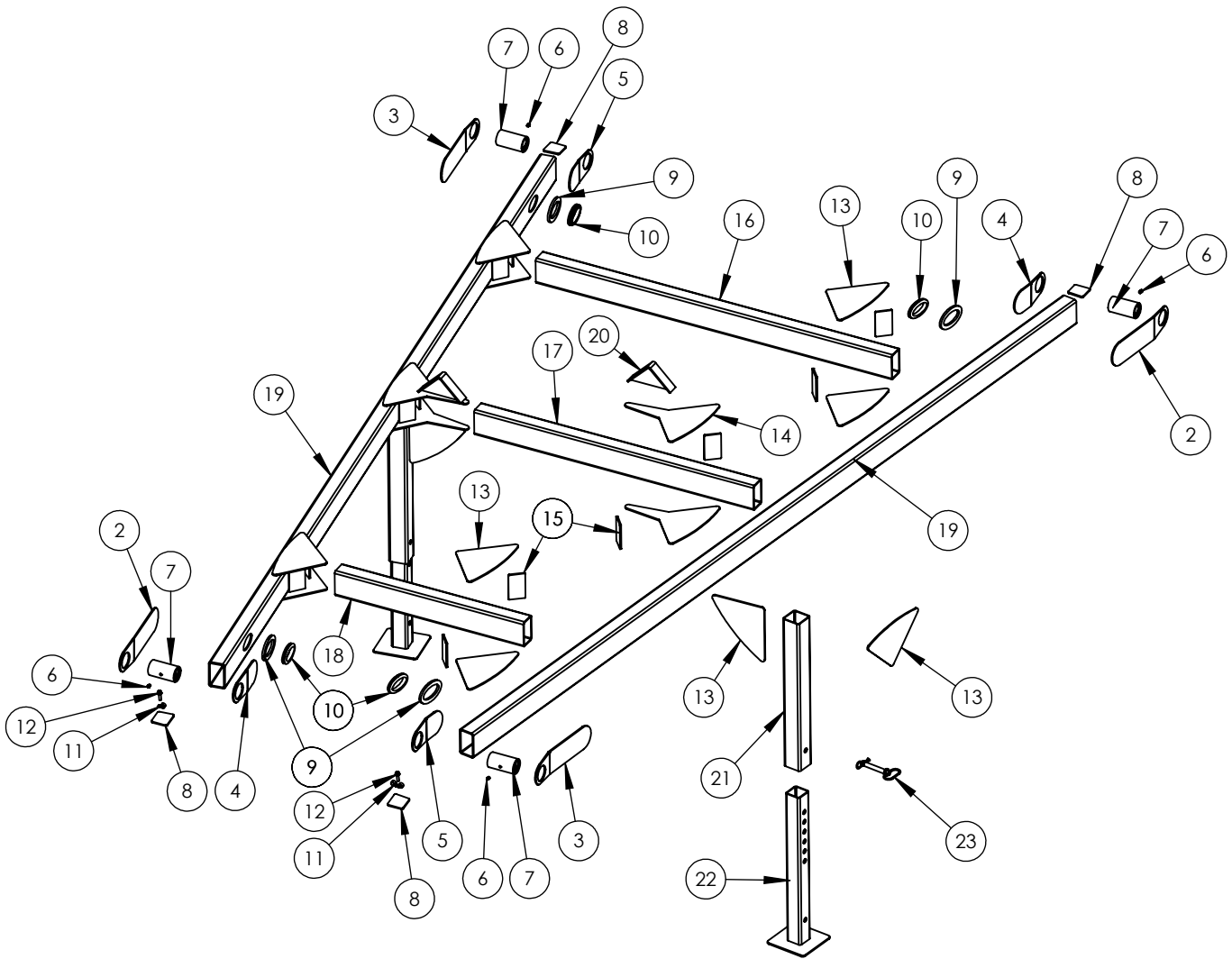
ITEM#	DESCRIPTION	QTY
1	3" GROMMET	4
2	OVAL CUTOUT	2
3	MIDDLE BODY BRACE BOTTOM PLATE	1
4	BODY BRACE CENTER CONNECTOR PLATE	2
5	MIDDLE BODY BRACE FRONT PLATE	2
6	MIDDLE BODY BRACE INSIDE PLATE	2
7	DRAFT ARM MOUNT INSIDE BUSHING	2
8	DRAFT ARM MOUNT BRACKET	2
9	DRAFT ARM MOUNT PIN	2
10	DRAFT ARM MOUNT OUTSIDE BUSHING	2
11	BOLT, 1/2-13 UNC X 3.5"	2
12	LOCKNUT, 1/2-13 UNC	2
13	SIDE CLEARANCE AND SIGNAL LIGHT	2
14	OVAL LIGHT GROMMET	2
15	MIDDLE BODY BRACE SIDE COVER	2
16	BODY BRACE UPPER ACCESS COVER	2
17	MIDDLE BODY BRACE REAR PLATE	2
18	MIDDLE BODY BRACE GUSSET	2
19	REAR LONGITUDINAL FRAME WELD PLATE	2
20	MIDDLE BOFY BRACE STIFFENER	2



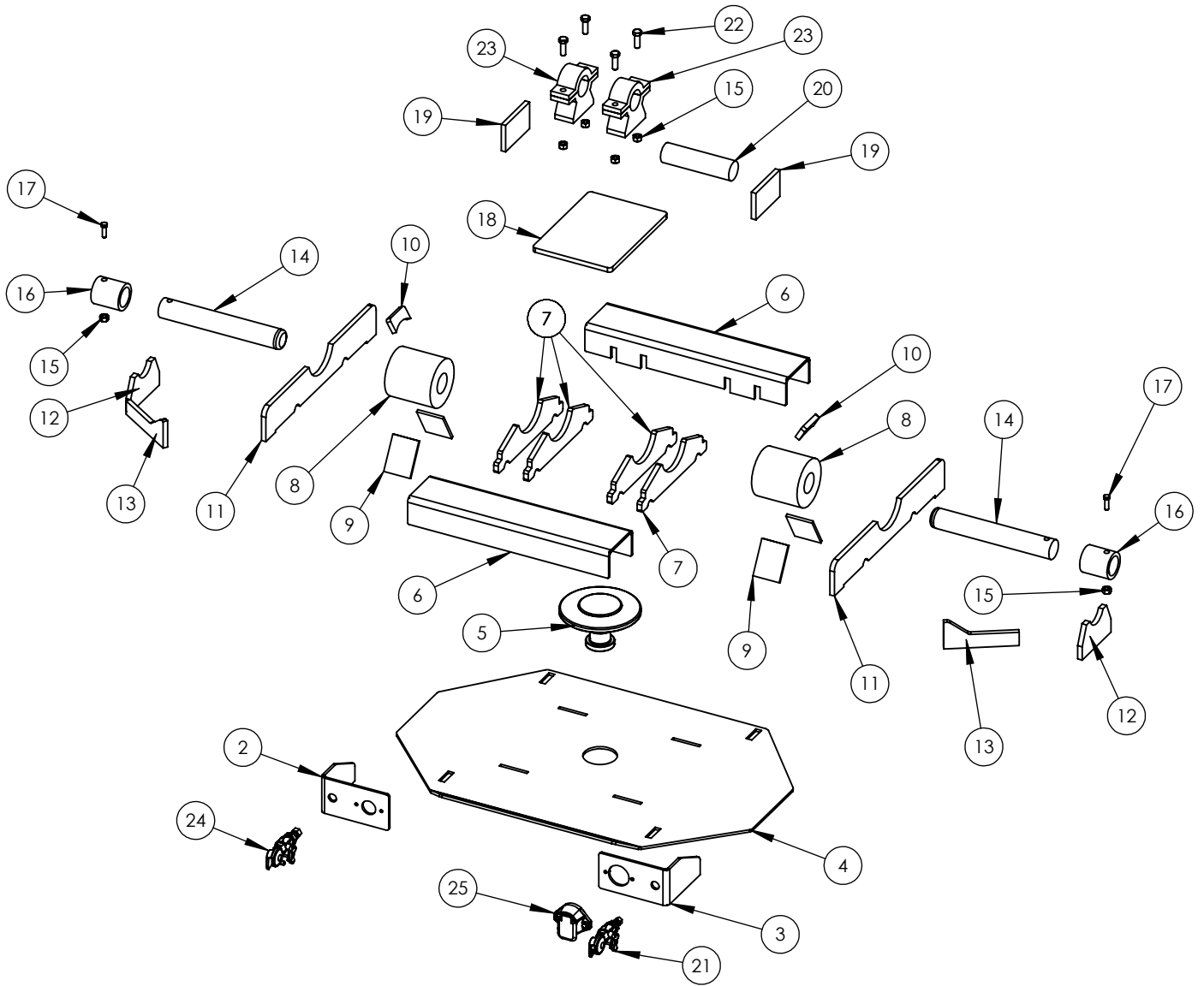
ITEM#	DESCRIPTION	QTY
1	COMPLETE GATE ASSEMBLY, DOES NOT INCLUDE ITEMS 16-20, 24-34, 37-39	
2	GATE SIDE CHANNEL, 48", LEFT	1
3	GATE CYLINDER ARM, RIGHT	1
4	GATE ANGLE CHANNEL, LEFT	1
5	GATE CYLINDER ARM, LEFT	1
6	GATE TOP CHANNEL	1
7	GATE MIDDLE CHANNEL	1
8	GATE DIRT SHEDDER	1
9	GATE BOTTOM TUBE	1
10	GATE BOTOM TUBE END PLATE	2
11	BOTTOM LATCH PIN	2
12	MUDFLAP BRACKET SPACER	2
13	MUDFLAP BRACKET TUBE CAP	4
14	MUDFLAP BRACKET TUBE	2
15	MUDFLAP BRACKET PLATE	2
16	BOLT, 3/8-16 UNC X 1.5"	8
17	NUT, 3/8-16	8
18	HINGE PIN	2
19	FLAT WASHER, 3/8	8
20	MUDFLAP	2
21	CYLINDER ARM TAB	2
22	CYLINDER ARM TAB GUSSET	4
23	GATE PLATE	1
24	BOLT, 1/2-13 X 3.5	2
25	HINGE PIN COLLAR	2
26	LOCKNUT, 1/2-13	2
27	HINGE BUSHING	6
28	HINGE PLATE	2
29	GREASE FITTING	6
30	GATE LIFT CYLINDER	2
31	RIGHT ANGLE COMPRESSION FITTING, 3/8" TUBING -1/2" NPT	2
32	1" CLEVIS PIN	4
33	COTTER PIN, 1/4"	4
34	BREATHER VENT, 1/2"NPT	2
35	GATE LIFT ARM	2



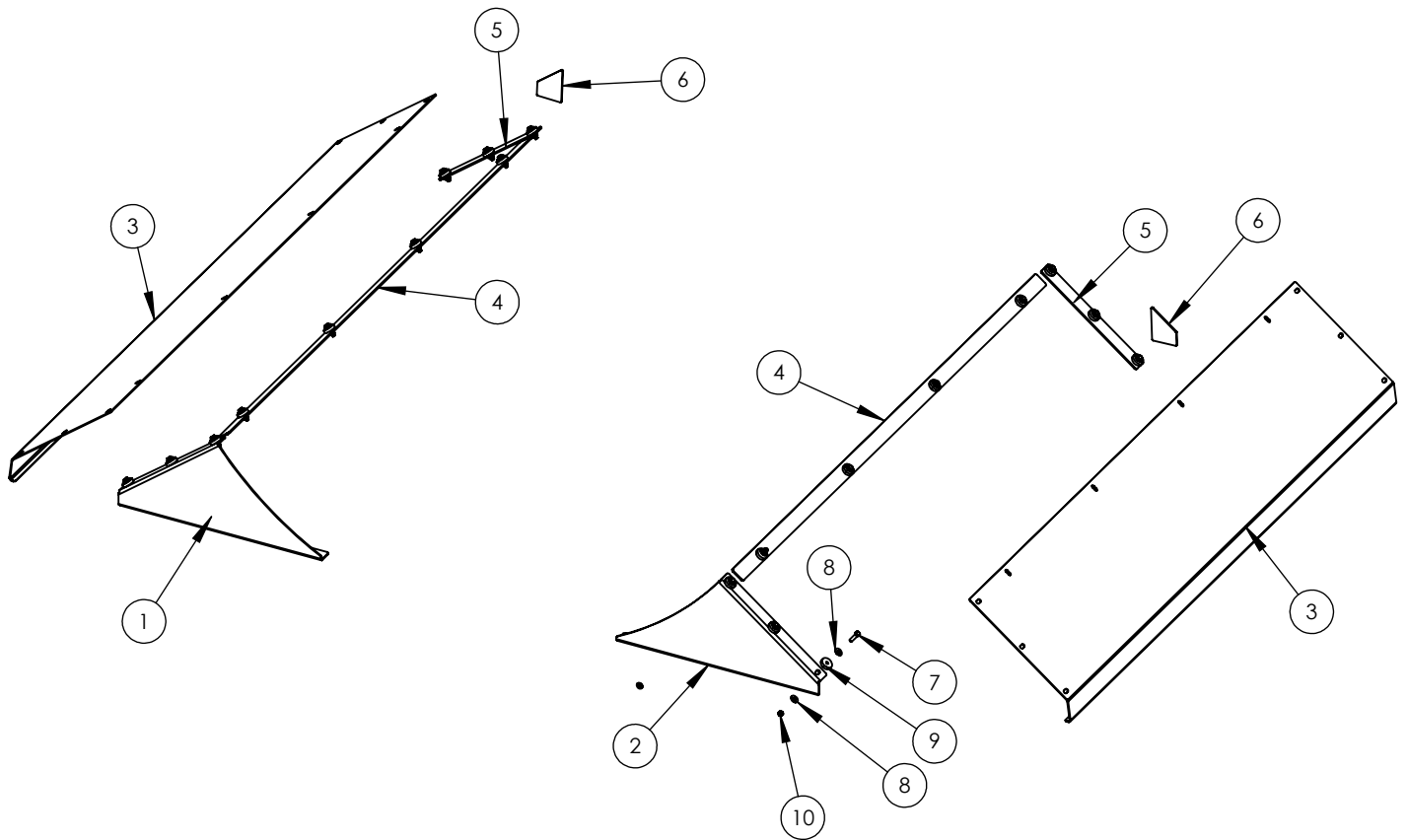
ITEM#	DESCRIPTION	QTY
1	LATCH CYLINDER MOUNT	1
2	LATCH CYLINDER	1
3	RIGHT ANGLE COMPRESSION FITTING, 3/8" TUBING TO 1/4" NPT	2
4	FLAT WASHER, 3/4"	2
5	LATCH CAM SHAFT	1
6	LATCH CAM SHAFT PIVOT	3
7	GREASE FITTING	3
8	LATCH CYLINDER BAR	1
9	BOLT, 1/2"-13 UNC X 3"	1
10	LATCH CAM PLATE	2
11	FLAT WASHER, 1/2"	2
12	LATCH CONNECTOR BAR ASSEMBLY	1
13	COTTER PIN, 1/8"	1
14	CLEVIS PIN, 1/2" X 1.5"	1
15	LATCH PLATE ASSEMBLY	1
16	LATCH HOOK	1
17	LOCKNUT, 1/2"-13 UNC	1



ITEM#	DESCRIPTION	QTY
1	COMPLETE DRAFT ARM ASSEMBLY, 30'-33', (DOES NOT INCLUDE ITEMS 10-12, 20, 22, 23)	
2	LONG BUSHING TAB, RIGHT	2
3	LONG BUSHING TAB, LEFT	2
4	SHORT BUSHING TAB, LEFT	2
5	SHORT BUSHING TAB, RIGHT	2
6	GREASE FITTING	4
7	DRAFT ARM BUSHING	4
8	BUSHING WELD PLATE	4
9	OVAL CUTOUT	4
10	3" GROMMET	4
11	TUBE STRAP	3
12	SHEET METAL SCREW, 1/4" SELF DRILLING, HEX WASHER HEAD	2
13	DRAFT ARM GUSSET	12
14	LONG DRAFT ARM GUSSET	4
15	3" X 5" GUSSET	12
16	REAR DRAFT ARM CROSS TUBE, 30'-33'	1
17	MIDDLE DRAFT ARM CROSS TUBE, 30'-33'	1
18	FRONT DRAFT ARM CROSS TUBE, 30'-33'	1
19	DRAFT ARM SIDE TUBE, 30'-33'	2
20	GUIDE BLOCK, DRAFT ARM PEDESTAL	2
21	LANDING GEAR SLEEVE	2
22	LANDING GEAR FOOT	2
23	LANDING GEAR PIN WITH HAIRPIN	2

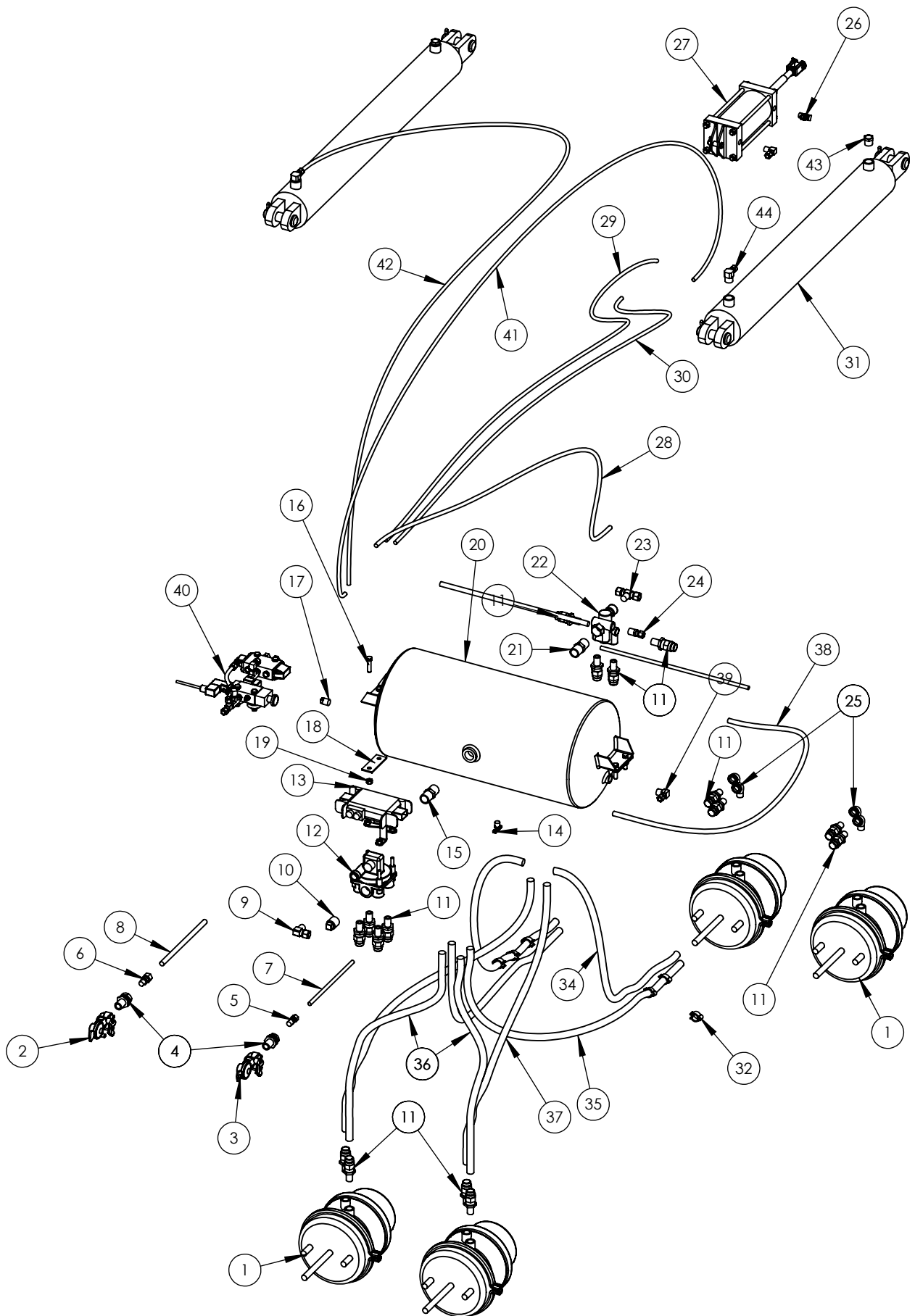


ITEM#	DESCRIPTION	QTY
1	FIFTH WHEEL ASSEMBLY, (PARTS 2-20, 22, 23)	
2	GLADHAND BRACKET, RIGHT	1
3	GLADHAND BRACKET, LEFT	1
4	FIFTH WHEEL PLATE	1
5	KINGPIN	1
6	FIFTH WHEEL CHANNEL	2
7	INSIDE CRADLE PLATE	4
8	CRADLE DOM	2
9	CRADLE DOM GUSSET	4
10	GUIDE TAB	2
11	OUTSIDE CRADLE PLATE	2
12	DRAFT ARM FRONT PIN BUSHING SUPPORT	2
13	DRAFT ARM FRONT PIN BUSHING SUPPORT GUSSET	2
14	FRONT DRAFT ARM PIN	2
15	LOCKNUT, 1/2-13 UNC	6
16	DRAFT ARM PIN BUSHING	2
17	BOLT, 1/2-13 UNC X 3.5"	2
18	KINGPIN PLATE	1
19	CYLINDER PIN SIDE PLATE	2
20	CYLINDER PIN	1
21	EMERGENCY GLADHAND COUPLER, SEE PAGE 20-21	
22	BOLT, 1/2-13 UNC X 2"	4
23	LOWER CYLINDER MOUNT	2
24	SERVICE GLADHAND COUPLER, SEE PAGE 20-21	
25	7 PIN RECEPTACLE, SEE PAGE 19	

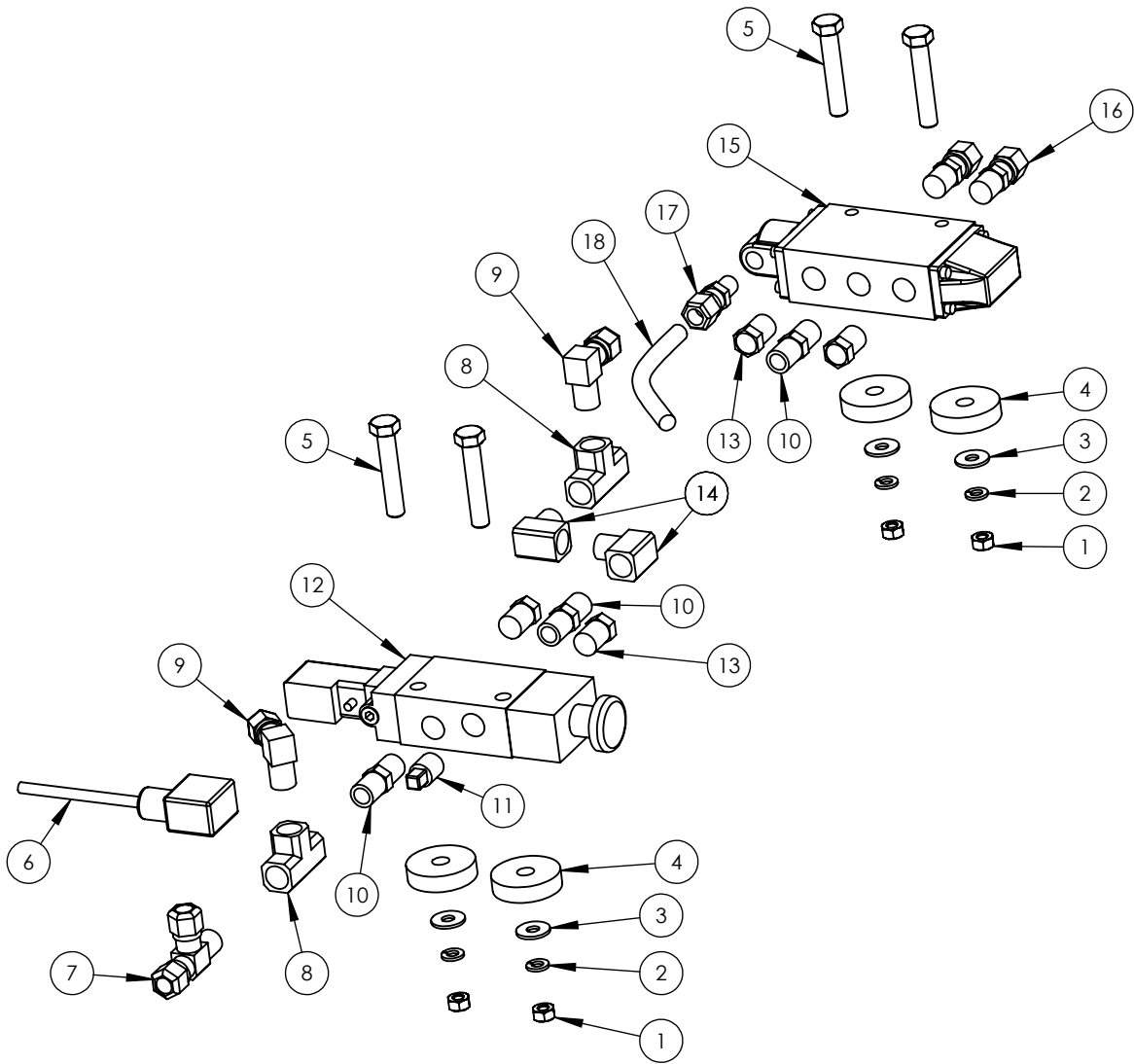


ITEM#	DESCRIPTION	QTY
1	RIGHT FENDER BRACKET, FRONT	1
2	LEFT FENDER BRACKET, FRONT	1
3	REAR FENDER	2
4	MIDDLE FENDER BRACKET	2
5	FENDER BRACKET, REAR	2
6	REAR FENDER BRACKET GUSSET	2
7	BOLT, 3/8-16 UNC X 1.5"	20
8	FLAT WASHER, 3/8"	20
9	RUBBER WASHER	20
10	LOCKNUT, 3/8-16 UNC	20

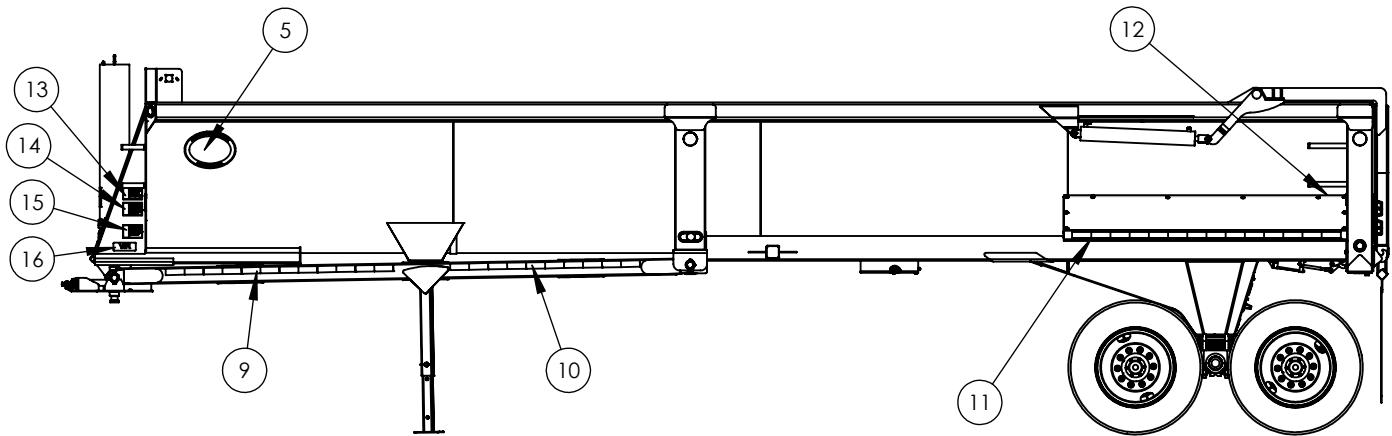
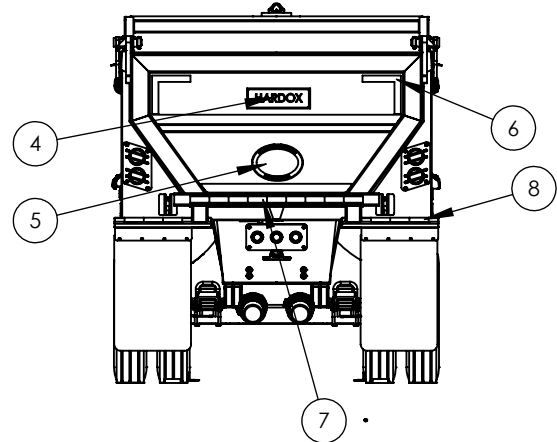
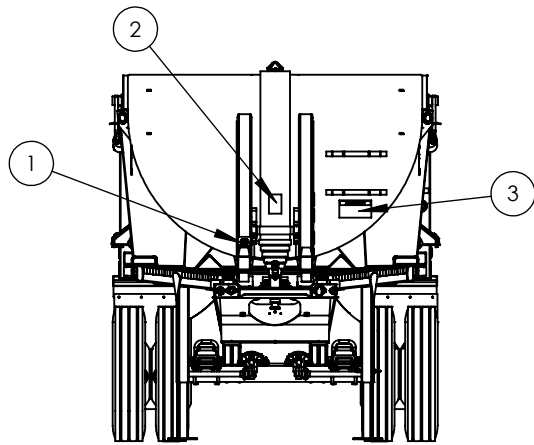
ITEM#	DESCRIPTION	QTY
1	AMBER CLEARANCE LIGHT	2
2	TWO WIRE PLUG	5
3	6 PIN RECEPTACLE	1
4	GATE/LATCH CONTROL VALVE WIRE PIGTAIL	1
5	7 PIN RECEPTACLE	1
6	7 PIN RECEPTACLE BOOT	1
7	NUT, 1/4-20 UNC	2
8	SIDE CLEARANCE LIGHT WIRE	2
9	MIDDLE SIDE CLEARANCE/SIGNAL LIGHT	2
10	3 WIRE PLUG	2
11	MIDDLE SIDE DROPPER WIRE	2
12	FEMALE CRIMP PLUG	6
13	MALE CRIMP PLUG	7
14	MIDDLE SIDE SIGNAL LIGHT WIRE	2
15	ABS SENSOR	2
16	ABS SENSOR WIRE	2
17	ECU/VALVE ASSEMBLY	1
18	ECU WIRE	1
19	ABS LIGHT WIRE	1
20	ABS LIGHT	1
21	BOLT, 1/4-20 UNC X 1.5"	2
22	7 WIRE HARNESS	1
23	REAR WIRE HARNESS, (SOLD WITH ITEM 22)	1
24	RED CLEARANCE LIGHT	5
25	REAR CLEARANCE LIGHT WIRE	1
26	LICENSE PLATE BRACKET WITH LIGHT	1
27	SIGNAL LIGHT PLUG	2
28	TAILLIGHT	4
29	LOCKWASHER, 1/4"	2
30	GATE/LATCH CONTROL VALVE ASSEMBLY, SEE PAGE 24	
31	14/2 DUPLEX WIRE (264")	1



ITEM#	DESCRIPTION	QTY
1	BRAKE AIR CHAMBER	4
2	GLADHAND COUPLER, SERVICE	1
3	GLADHAND COUPLER, EMERGENCY	1
4	BULKHEAD CONNECTOR WITH WASHER AND NUT	2
5	COMPRESSION FITTING, 3/8" TUBING-1/4"NPT	1
6	COMPRESSION FITTING, 1/2" TUBING- 1/4"NPT	1
7	3/8" AIRLINE, EMERGENCY SUPPLY LINE	1
8	1/2" AIRLINE, SERVICE SUPPLY LINE	1
9	RIGHT ANGLE COMPRESSION FITTING, 1/2" TUBING-3/8"NPT	1
10	PIPE PLUG, 3/4"NPT	1
11	3/8" AIRLINE FITTING, 3/8"NPT	16
12	BRAKE SERVICE VALVE	1
13	ECU, VALVE ASSEMBLY	1
14	DRAIN VALVE, 1/4"NPT	1
15	NIPPLE, 3/4" NPT	1
16	BOLT, 3/8-16 UNC X 1.5"	4
17	PIPE PLUG, 3/8"NPT	1
18	AIRTANK MOUNTING PAD	2
19	NUT, 3/8-16 UNC	4
20	BRAKE AIRTANK	1
21	NIPPLE, 3/4"NPT-1/2"NPT	1
22	EMERGENCY VALVE	1
23	TEE COMPRESSION FITTING, 1/2" TUBING (2X)-3/8" NPT	1
24	COMPRESSION FITTING, 3/8" TUBING-3/8" NPT	1
25	STREET EL, 3/8" NPT	4
26	RIGHT ANGLE COMPRESSION FITTING, 3/8" TUBING-1/4" NPT	2
27	LATCH CYLINDER	1
28	GATE AND LATCH CONTROL VALVE SUPPLY AIRLINE	1
29	LATCH CYLINDER "CLOSE" AIRLINE	1
30	LATCH CYLINDER "OPEN" AIRLINE	1
31	GATE LIFT CYLINDER	2
32	AIRLINE TO WIRE CLIP	6
33	AIRLINE CLIP	14
34	EMERGENCY BRAKE AIRLINE, REAR AXLE	2
35	SERVICE BRAKE AIRLINE, REAR AXLE	2
36	SERVICE BRAKE AIRLINE, FRONT AXLE	2
37	EMERGENCY BRAKE AIRLINE, FRONT AXLE	2
38	1/2" AIRLINE, SERVICE VALVE TO EMERGENCY VALVE	1
39	RIGHT ANGLE COMPRESSION FITTING, 3/8" TUBING-3/8" NPT	1
40	GATE AND LATCH CONTROL VALVE ASSEMBLY, SEE PAGE 24	1
41	GATE CYLINDER AIRLINE, LEFT	1
42	GATE CYLINDER AIRLINE, RIGHT	1
43	BREATHER VENT, 1/2" NPT	2
44	RIGHT ANGLE COMPRESSION FITTING, 3/8" TUBING-3/8" NPT	2



ITEM#	DESCRIPTION	QTY
1	NUT, 1/4-20 UNC	4
2	LOCKWASHER, 1/4"	4
3	FLAT WASHER, 1/4"	4
4	RUBBER WASHER	4
5	BOLT, 1/4-20 UNC X 2.5"	4
6	GATE VALVE CONTROL WIRE	1
7	RUN TEE COMPRESSION FITTING, 3/8" TUBING (2X)-1/4"NPT	1
8	TEE, 1/4"NPT	2
9	RIGHT ANGLE COMPRESSION FITTING, 3/8" TUBING-1/4"NPT	2
10	HEX NIPPLE, 1/4"NPT	3
11	PLUG, 1/4"NPT	1
12	GATE VALVE	1
13	BREATHER VENT, 1/4"NPT	4
14	STREET EL, 1/4"NPT	2
15	LATCH VALVE	1
16	COMPRESSION FITTING, 3/8" TUBING-1/4"NPT	2
17	COMPRESSION FITTING, 3/8" TUBING-1/8"NPT	1
18	GATE TO LATCH VALVE AIRLINE	1



ITEM#	DESCRIPTION	QTY
1	AIR BRAKE ADDITIVES CAUTION DECAL	1
2	LIFT CYLINDER DECAL	1
3	ATTENTION DECAL	1
4	HARDOX DECAL	1
5	CONSTRUCTION TRAILER "ROCKMASTER" DECAL, BOTH SIDES	3
6	REFLECTIVE CONSPICUITY TAPE, WHITE ONLY RIGHT ANGLE, REAR DOOR	2
7	REFLECTIVE CONSPICUITY TAPE, 54", REAR DOOR	2
8	REFLECTIVE CONSPICUITY TAPE, 54", MUDFLAP BRACKETS	2
9	REFLECTIVE CONSPICUITY TAPE, 66", DRAFT ARM BOTH SIDES	2
10	REFLECTIVE CONSPICUITY TAPE, 54", DRAFT ARM BOTH SIDES	2
11	REFLECTIVE CONSPICUITY TAPE, 84", REAR FENDER	2
12	ABS NOTICE DECAL LEFT SIDE ONLY	1
13	DANGER: SPRING BRAKE CHAMBERS	1
14	WARNING: PROPERLY MATCHED WHEELS	1
15	WARNING: RE-TORQUE	1
16	HALF ROUND LABEL KIT (CONTAINS ITEMS: 1,3,5,12-15)	1