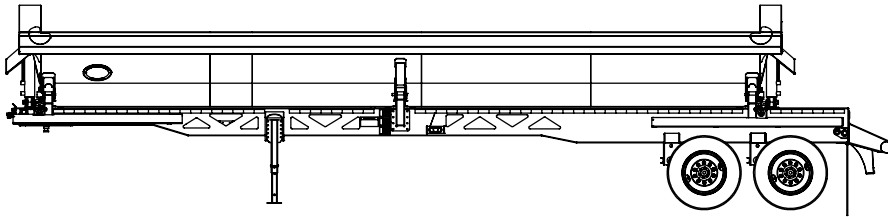


PARTS BOOK



SIDE DUMP TRAILER
40' FRAME LENGTH 34' TUB LENGTH
AIR RIDE SUSPENSION

CONSTRUCTION TRAILER SPECIALISTS, INC.

2535 ROSE PARKWAY
SIKESTON, MO 63801
TOLL FREE: 888-669-0003
PH: 573-481-0941
FX: 573-481-0953
parts@trailerbuilders.com
www.constructiontrailerspecialists.com

Thanks for choosing Construction Trailer Specialists, Inc., we manufacture a line of trailers in a size to fit your needs.

-End dump trailers in Half Round, Elliptical, or Light weight configurations available Frameless, Quarter Frame or Full Frame. Elliptical scrap/demo trailers available in lengths from 22 to 40 ft, with 46-100 inch sides.

-Bottom dump trailers in 32-42 ft lengths, with Low Profile, Lightweight, and Insulated Hot Mix versions available.

-Grain trailers in 34-42 ft lengths.

-Side dump trailers.

-Walking floor trailers.

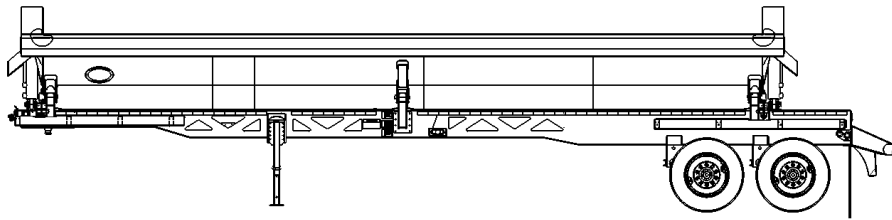
-In addition, we offer a variety of suspension and tarp options to suit your needs.

When ordering parts be sure to have the trailer's vehicle identification number (VIN) at hand so we can be sure to get you the correct parts for your trailer.

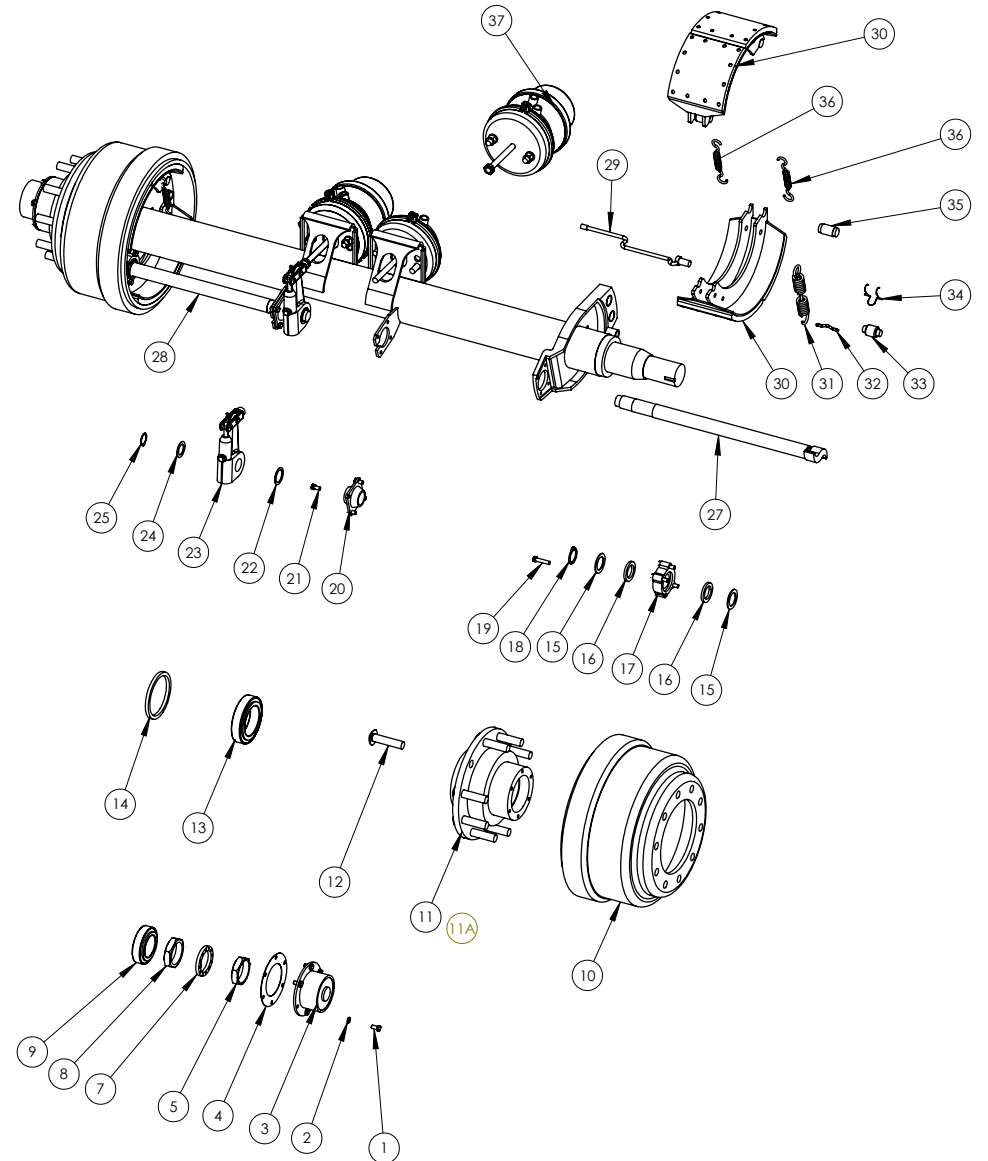
Remember this parts book is for a "standard" trailer, if your trailer is not standard dimensions some parts may not interchange with those listed here, contact the factory if you are unsure.

We will be working on, adding to, and improving this and other parts books in the near future. We welcome any comments or suggestions on how we may make them work better for you. Thanks again!!!

TABLE OF CONTENTS

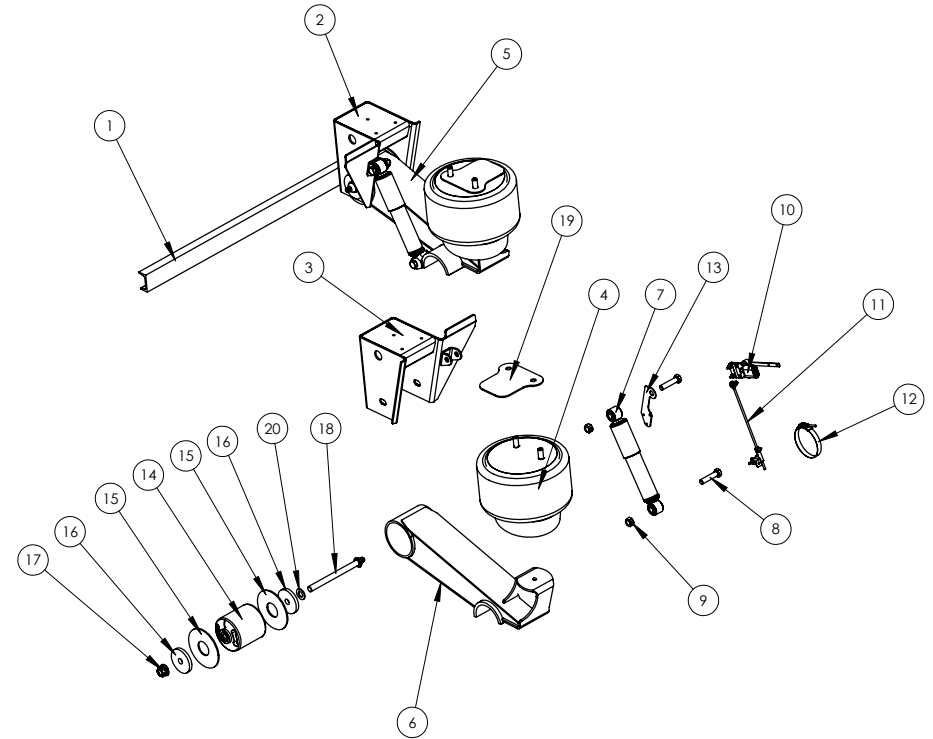


DESCRIPTION	PAGE
AXLE	2-3
SUSPENSION	4
WHEELS	5
TUB	6-7
FRAME	8-9
TUB END	10
FIFTH WHEEL	11
FRONT/REAR PIVOT	12
DUMP VALVE	13
PNEUMATIC PLUMBING	14-15
HYDRAULIC PLUMBING	16
FENDERS	17
WIRING	18-19
DECALS	20

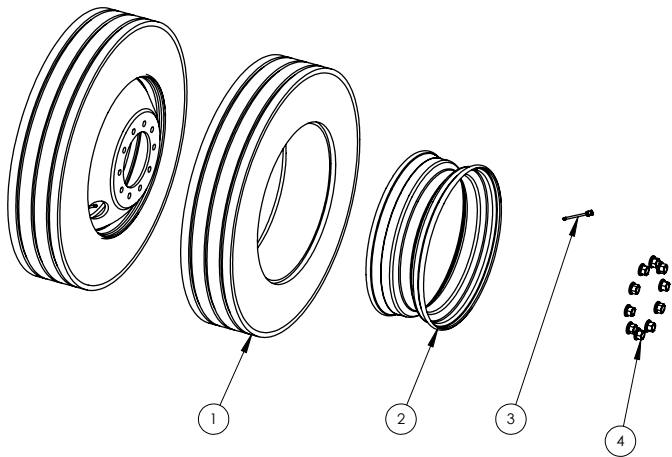


ITEM #	DESCRIPTION	QTY PER AXLE
1	BOLT, 5/16-18 UNC X 3/4"	12
2	LOCK WASHER, 5/16"	12
3	HUBCAP, INCLUDES ITEM 4	2
4	HUBCAP GASKET	2
5	WHEEL BEARING JAM NUT	2
7	WHEEL BEARING LOCK WASHER	2
8	WHEEL BEARING ADJUSTING NUT	2
9	OUTER WHEEL BEARING	2
10	BRAKE DRUM	2
11	HUB WITH ABS TOOTH WHEEL (REAR AXLE ONLY)	2
11A	HUB WITHOUT ABS TOOTH WHEEL (FRONT AXLE ONLY)	2
12	WHEEL STUD	20
13	INNER WHEEL BEARING	2
14	WHEEL BEARING SEAL	2
	CAM BUSHING KIT, ITEMS 15-22, 24, 25	2
15	WASHER	4
16	SEAL	4
17	CAMSHAFT BUSHING, OUTER	2
18	SNAP RING	2
19	BOLT	8
20	CAMSHAFT BUSHING, INNER	2
21	BOLT	8
22	WASHER	2
23	SLACK ADJUSTER ASSEMBLY	2
24	WASHER	2
25	SNAP RING	2
27	CAMSHAFT, LEFT	1
28	CAMSHAFT, RIGHT	1
29	ABS SENSOR (REAR AXLE ONLY)	2
	BRAKE KIT, ITEMS 30-36	2
30	BRAKE SHOE	4
31	BRAKE SHOE RETURN SPRING	2
32	PIN, BRAKE SHOE RETURN SPRING	4
33	BRAKE SHOE ROLLER	4
34	RETAINER, BRAKE SHOE ROLLER	4
35	ANCHOR PIN	4
36	BRAKE SHOE RETAINING SPRING	4
37	AIR CHAMBER	2

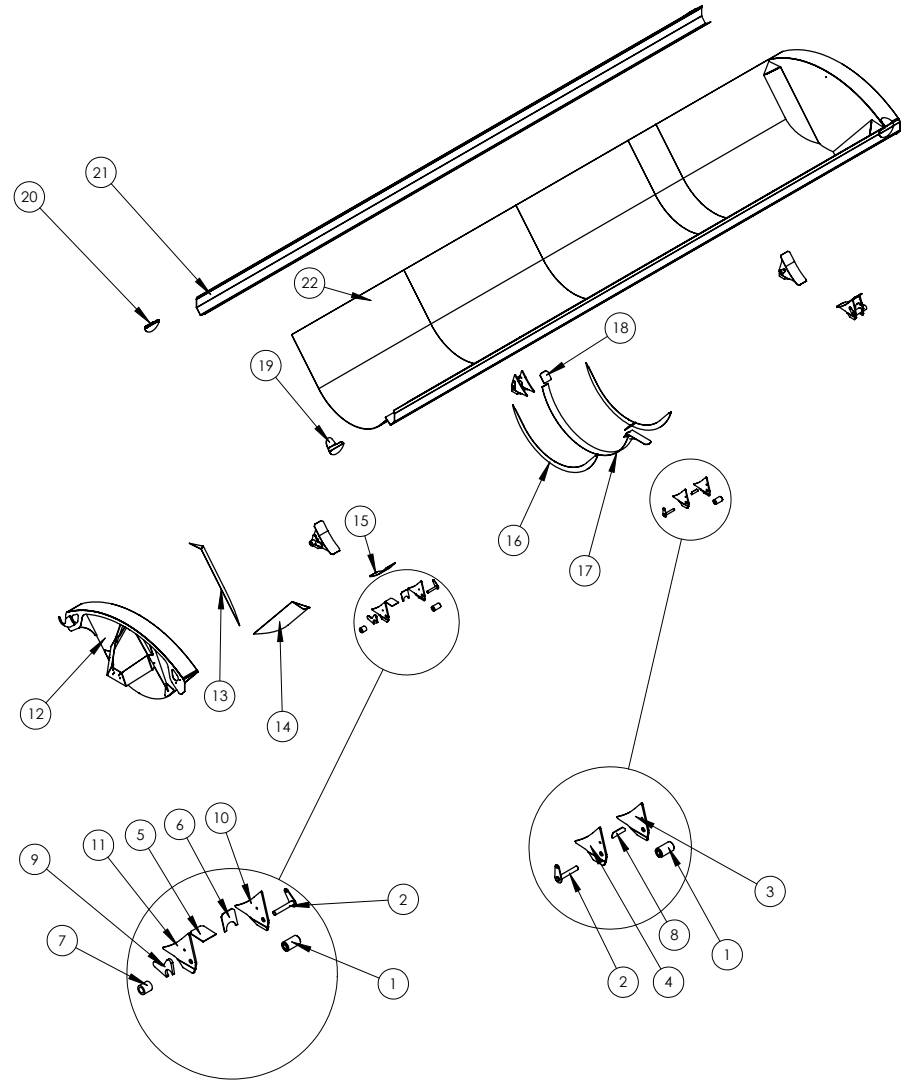
AIR RIDE SUSPENSION



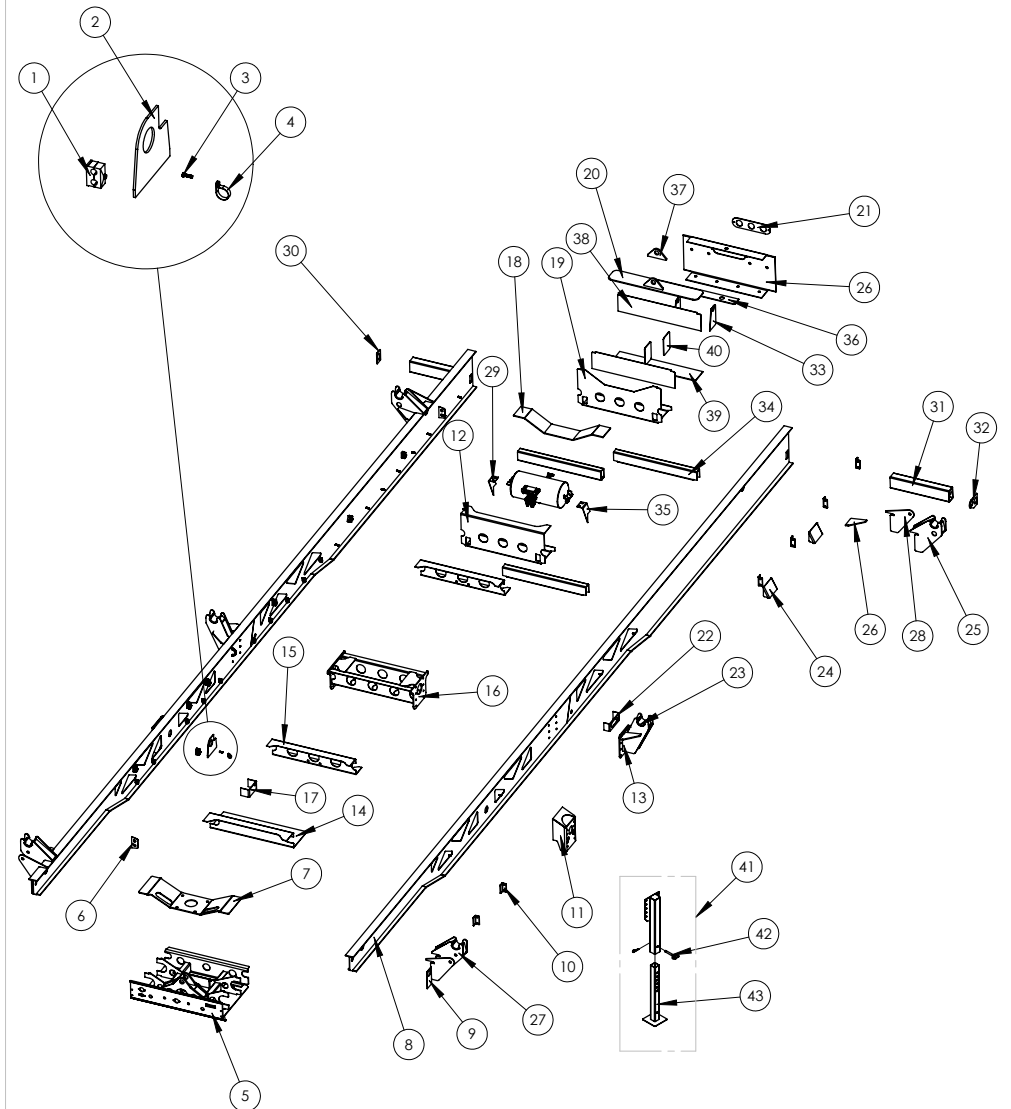
ITEM #	DESCRIPTION	QTY
1	102" HANGER BRACE	1
2	HANGER ASSEMBLY RIGHT SIDE	1
3	HANGER ASSEMBLY LEFT SIDE	1
4	AIR SPRING	2
5	BEAM ASSEMBLY RIGHT SIDE	1
6	BEAM ASSEMBLY LEFT SIDE	1
7	SHOCK ABSORBER	2
8	3/4-10 NC X 3" BOLT GRADE 5	2
9	3/4-10 NC LOCK NUT GRADE 5	2
	RIDE HEIGHT CONTROL VALVE KIT (ITEMS:10-13)	1
10	RIDE HEIGHT CONTROL VALVE	
11	LINKAGE KIT HEIGHT CONTROL VALVE	1
12	RIDE HEIGHT CONTROL LOWER PIN CLAMP	2
13	RIDE HEIGHT CONTROL VALVE BRACKET	2
14	BUSHING	2
15	WEAR WASHER	4
16	ALIGNMENT WASHER	4
17	LOCK NUT 7/8"-9NC	2
18	PIVOT BOLT 7/8"-9NC X 9-5/8" GRADE 8	1
19	AIR SPRING MOUNTING PLATE	2
20	WASHER 7/8" A-325 FLAT ZINC PLATE	



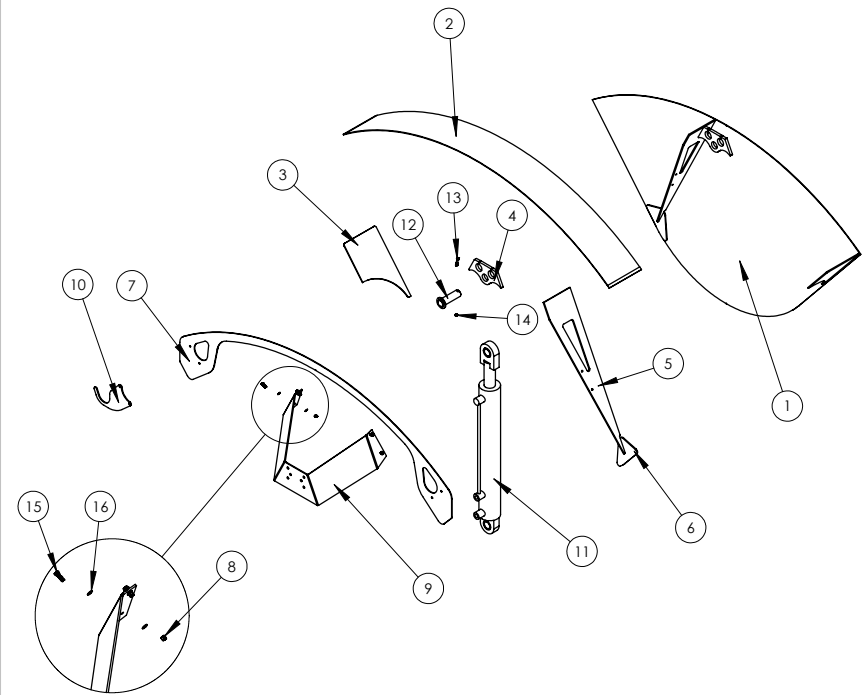
ITEM #	DESCRIPTION	QTY PER TRAILER
1	TIRE	8
2	RIM	8
3	VALVESTEM	8
4	LUGNUT	40



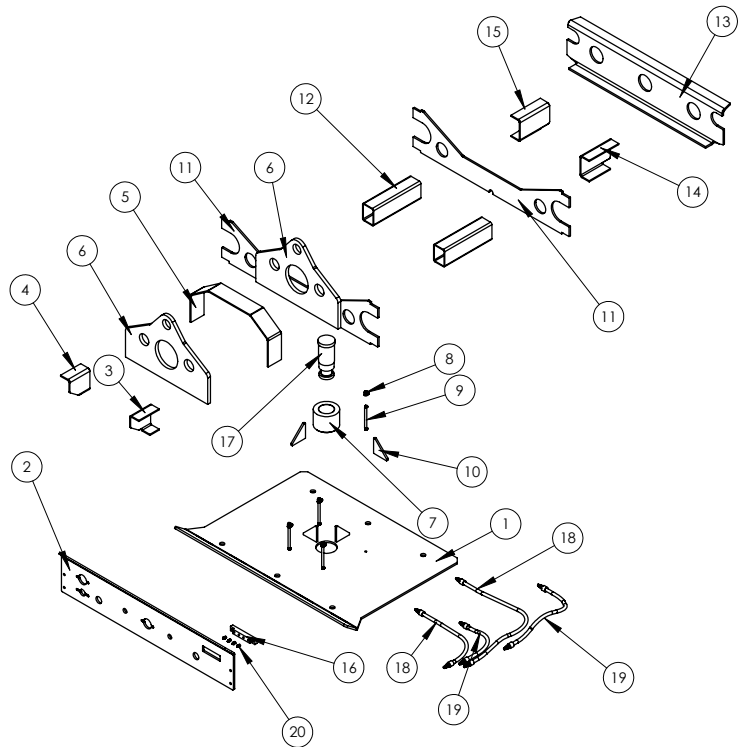
ITEM#	DESCRIPTION	QTY
1	PIVOT ROLLER ASSEMBLY	6
2	PIVOT PIN	6
3	CENTER PIVOT PLATE RIGHT	2
4	CENTER PIVOT PLATE LEFT	2
5	PIVOT BOTTOM GUSSET	4
6	PIVOT UPPER GUSSET	4
7	LATCH TUBE	4
8	CENTER PIVOT GUSSET	2
9	LATCH TUBE GUSSET	4
10	PIVOT PLATE RIGHT	4
11	PIVOT PLATE LEFT	4
12	TUB END ASSEMBLY, SEE PAGE 10	2
13	TUB CORNER GUSSET LEFT	2
14	TUB CORNER GUSSET RIGHT	2
15	CORNER PIVOT WELD PLATE	4
16	WEB RIB	6
17	TUB RIB FLANGE	3
18	TUB RIB WELD PLATE	6
19	TUB CORNER PLATE LEFT	2
20	TUB CORNER PLATE RIGHT	2
21	TOP RAIL	2
22	TUB SECTION, SOLD BY 8' SECTION	



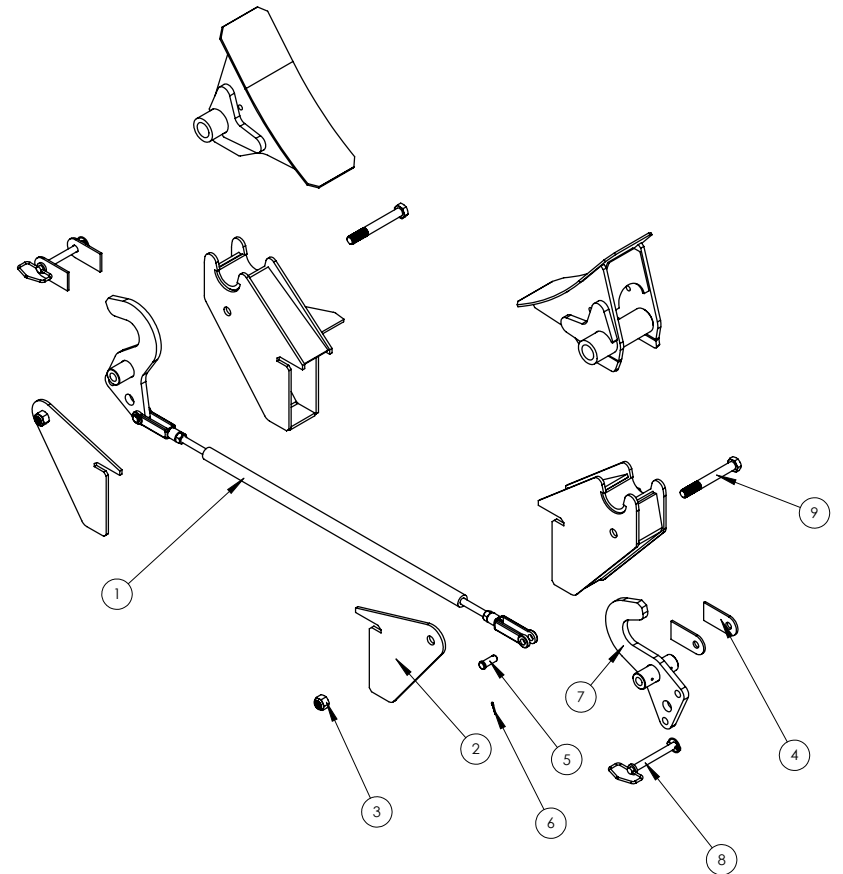
ITEM#	DESCRIPTION	QTY
1	HYD. HOSE LOOM CLAMP ASSEMBLY	
2	LANDING GEAR HOLE GUSSET	2
3	BOLT, 1/4-20 UNC 1" G5	38
4	1.5" LOOM CLAMPS	40
5	5TH WHEEL ASSEMBLY, SEE PAGE 11	1
6	HYD. HOSE BULKHEAD PLATE	4
7	FRONT PIVOT CONNECTOR	1
8	40' FRAME BEAM ASSEMBLY	2
9	FRONT MARKER LAMP BRACKET	2
10	FENDER MOUNT BRACKET	16
11	LANDING GEAR MOUNT ASSEMBLY	2
12	SUSPENSION HANGER CROSSMEMBER	1
13	CENTER PIVOT ASSEMBLY	2
14	VAVLE BRACKET CROSSMEMBER	1
15	FRAME CROSSMEMBER	2
16	CENTER PIVOT CROSSMEMBER	1
17	FLOW DIVIDER BRACKET	1
18	REAR PIVOT CROSSMEMBER FLANGE	1
19	REAR PIVOT CROSSMEMBER	1
20	REAR CYL. MOUNT CROSSMEMBER TOP PLATE	1
21	REAR MARKER LIGHT PLATE	1
22	MIDSHIPS LIGHT BRACKET	2
23	PIVOT GUSSET	8
24	SUSPENSION GUSSET	4
25	PIVOT SADDLE ASSEMBLY 1	2
26	REAR PLATE	1
27	PIVOT SADDLE ASSEMBLY 2	2
28	HOOK PIVOT PLATE	4
29	BRAKE TANK BRACKET RIGHT	1
30	LIGHT TUBE CAP LEFT SIDE	1
31	LIGHT TUBE	2
32	LIGHT TUBE CAP RIGHT SIDE	1
33	REAR PLATE GUSSET	2
34	AIR RIDE AIR BAG CROSSMEMBER	3
35	BRAKE TANK BRACKET LEFT	1
36	REAR PLATE RIB	1
37	REAR LOWER CYL. MOUNT	2
38	CYL. MOUNT CROSSMEMBER WEB	2
39	CYL. MOUNT CROSSMEMBER LOWER PLATE	1
40	INNER SUPPORT PLATE	2
41	COMPLETE DROPLEG ASSEMBLY	2
42	DROPLEG PIN AND HAIRCLIP ASSEMBLY	2
43	DROPLEG FOOT ASSEMBLY	2



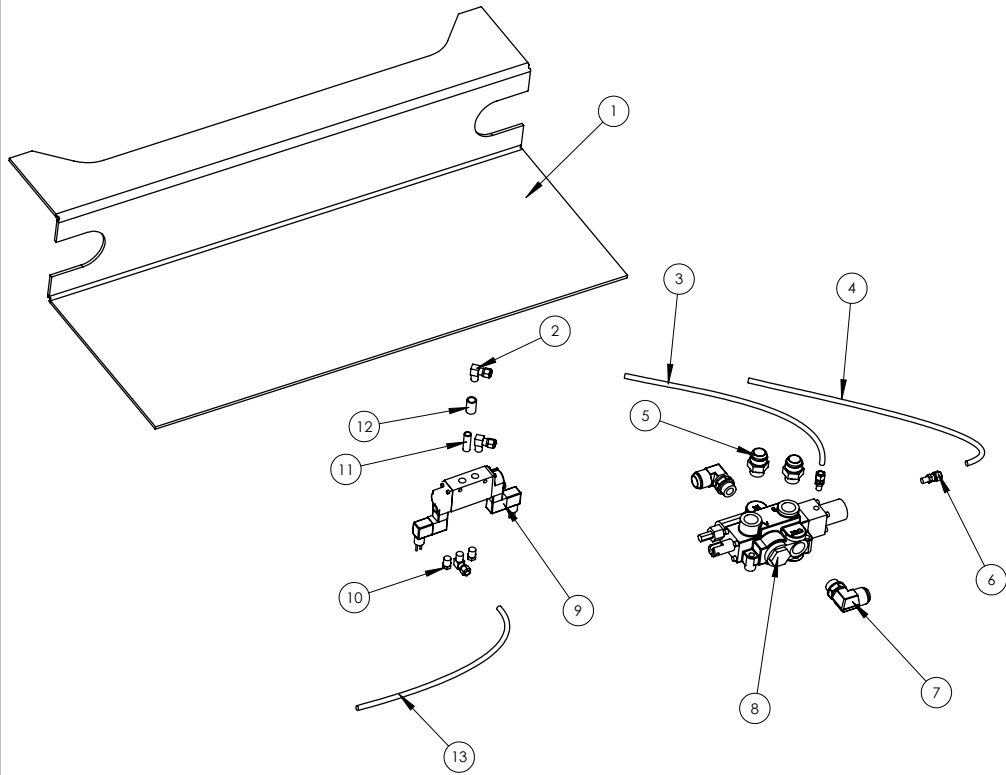
ITEM#	DESCRIPTION	QTY
1	TUB END PLATE	1
2	HEADER TOP PLATE	1
3	TOP RAIL GUSSET	2
4	UPPER CYL. MOUNT PLATE	2
5	TUB END BRACE	2
6	TUB END BRACE WELD PLATE	2
7	HEADER END PLATE	1
8	WASHER, 3/8	8
9	TARP MOUNT BRACKET	1
10	TARP HOOK	1
11	CYLINDER	1
12	CYL. PIN	1
13	BOLT, 7/16-14 UNC 3" G8	1
14	NYLOCK NUT, 7/16-14 UNC	1
15	BOLT, 3/8-16 UNC 1.5" G5	4
16	NYLOCK, 3/8-16 UNC	4



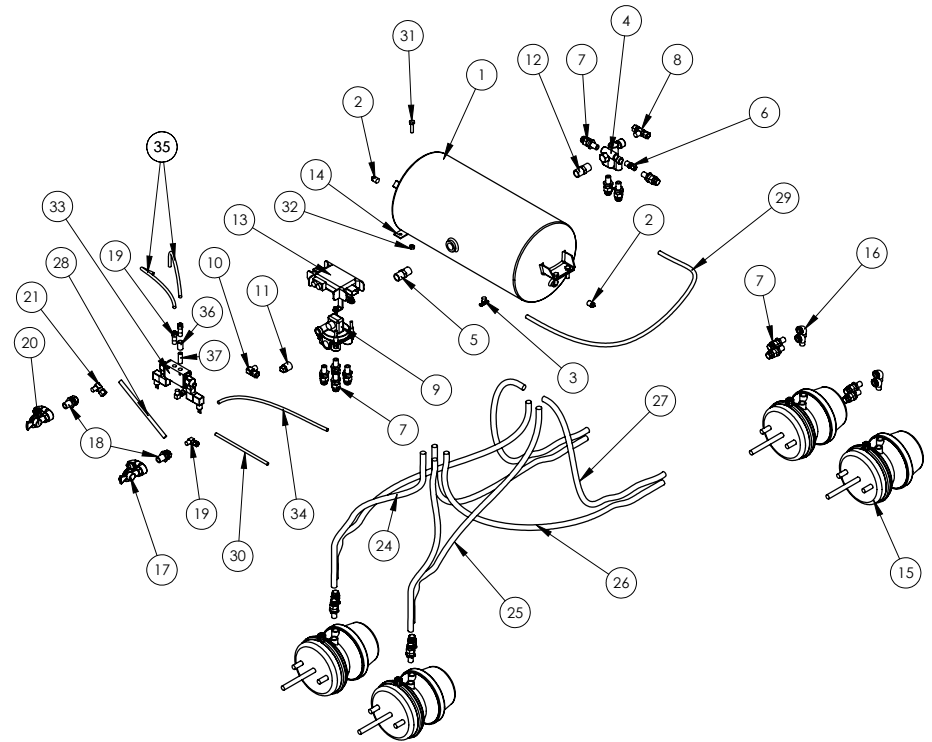
ITEM #	DESCRIPTION	QTY
1	5TH WHEEL PLATE	1
2	FRONT HEADER	1
3	5TH WHEEL FRONT CHANNEL LEFT	1
4	5TH WHEEL FRONT CHANNEL RIGHT	1
5	FRONT CYL. MOUNT SPACER	1
6	FRONT CYL. MOUNT	2
7	REMOVABLE KINGPIN SLEEVE	1
8	STEEL ELBOW, 1/8" NPT	4
9	PIPE NIPPLE, 1/8" NPT 5.5"	4
10	KINGPIN SLEEVE GUSSET	4
11	PIVOT CONNECTOR WEB	2
12	5TH WHEEL TUBE	2
13	5TH WHEEL REAR CROSSMEMBER	1
14	5TH WHEEL REAR CHANNEL LEFT	1
15	5TH WHEEL REAR CHANNEL RIGHT	1
16	GREASE BANK	1
17	DROP IN KING PIN	1
18	1/4" GREASE HOSE 3'	2
19	1/4" GREASE HOSE 2'	2
20	1/8" STRAIGHT GREASE ZERK	4



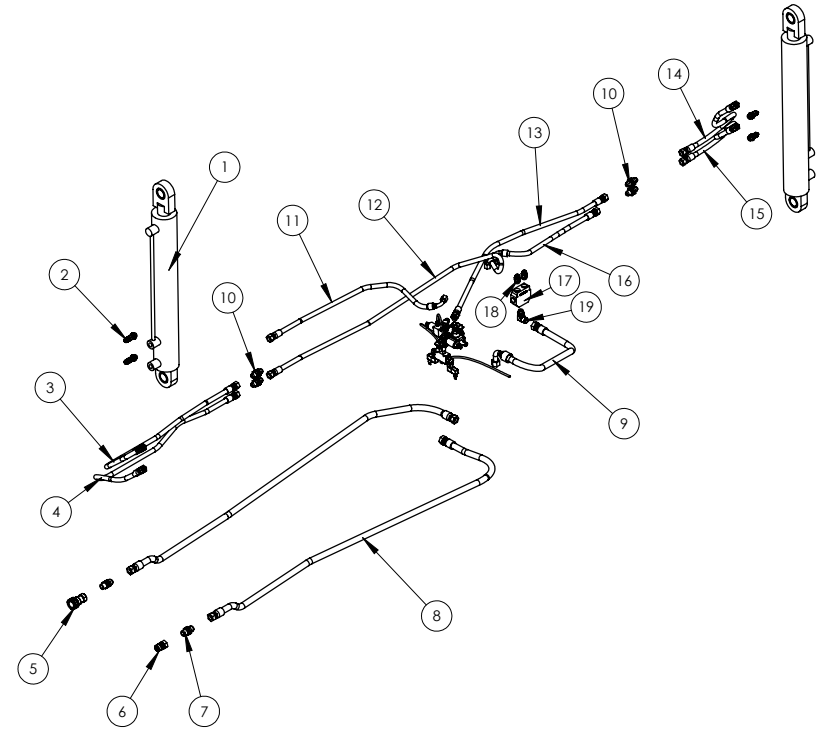
ITEM #	DESCRIPTION	QTY
1	TIE ROD	1
2	OUTTER PIVOT PLATE	2
3	NYLOC NUT, 1-8 UNC	2
4	LATCH PIN TAB	4
5	3/4 X 2 CLEVIS PIN	2
6	1/8" COTTER PIN	2
7	LATCH HOOK	2
8	LATCH LOCK PIN	2
9	BOLT, 1-8 UNC 8" G8	2



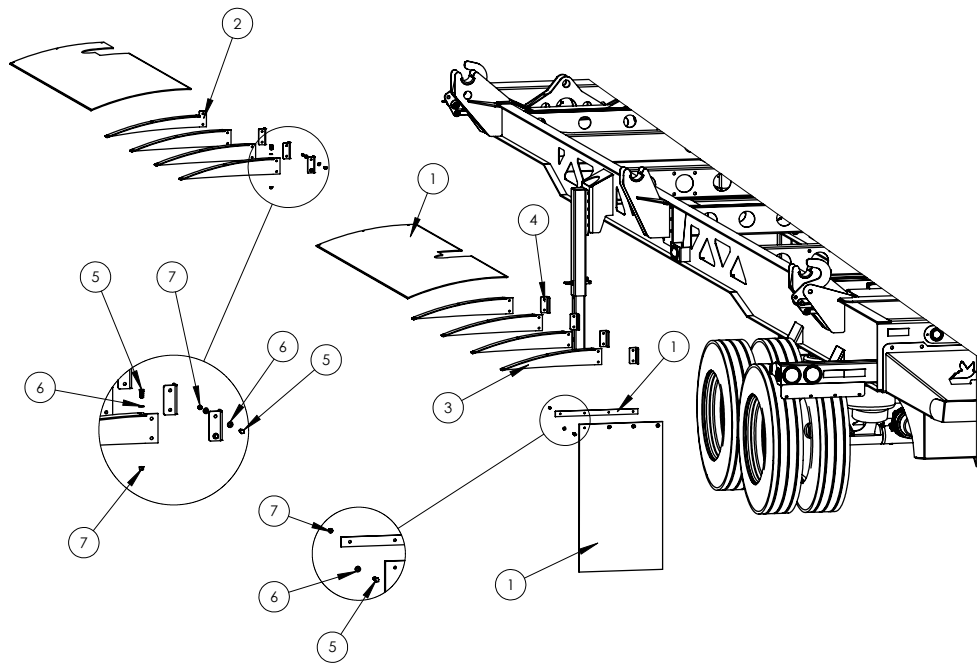
ITEM #	DESCRIPTION	QTY
1	VALVE CROSSMEMBER	1
2	BRASS FITTING, 1/4 NPT, 90 DEG., 3/8 COMP.	3
3	3/8" AIRLINE RETRACT CIRCUIT	1
4	3/8" AIRLINE EXTEND CIRCUIT	1
5	HYD. FITTING, JICM16-MB12	2
6	BRASS FITTING, 1/4 NPT, 3/8 COMP.	2
7	HYD. FITTING, 90JICM16-MB12	2
8	HYD. VALVE	1
9	AIR VALVE	1
10	1/4 NPT EXHAUST	2
11	NIPPLE, 1/4 NPTX 1.5	1
12	COUPLER, 1/4 NPT	1
13	3/8" AIRLINE SUPPLY	1



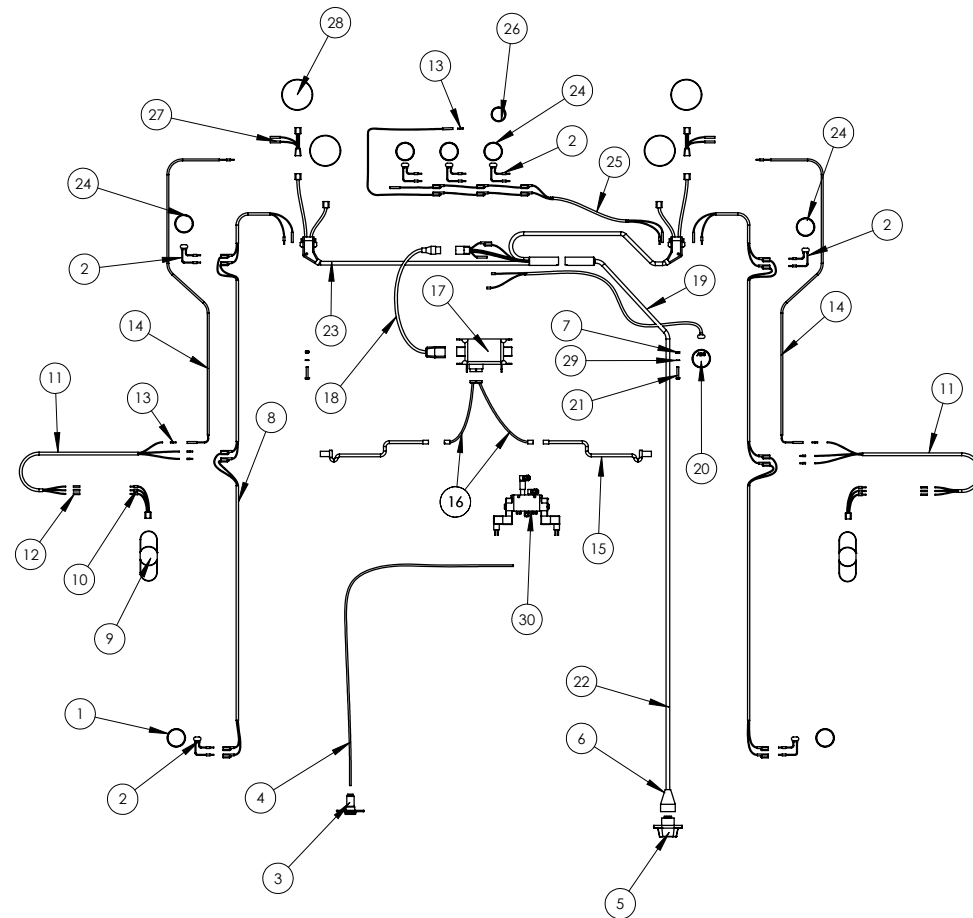
ITEM#	DESCRIPTION	QTY
1	BRAKE AIR TANK	1
2	PIPE PLUG, 3/8" NPT	2
3	DRAIN VALVE, 1/4" NPT	1
4	EMERGENCY VALVE	1
5	NIPPLE, 3/4" NPT	1
6	COMPRESSION FITTING, 3/8" TUBING - 3/8" NPT	1
7	3/8" AIRLINE FITTING, 3/8" NPT	16
8	TEE COMPRESSION FITTING, 1/2" TUBING (2X) - 3/8" NPT	1
9	BRAKE SERVICE VALVE	1
10	RIGHT ANGLE COMPRESSION FITTING, 1/2" TUBING - 3/8" NPT	1
11	PIPE PLUG, 3/4" NPT	1
12	NIPPLE, 3/4" NPT - 1/2" NPT	1
13	ECU, VALVE ASSEMBLY	1
14	AIR TANK MOUNTING PAD	2
15	BRAKE AIR CHAMBER	4
16	STREET EL, 3/8" NPT	4
17	GLADHAND COUPLER, EMERGENCY	1
18	BULK HEAD CONNECTOR WITH WASHER AND NUT	2
19	RIGHT ANGLE COMPRESSION FITTING, 3/8" TUBING - 1/4" NPT	1
20	GLADHAND COUPLER, SERVICE	1
21	RIGHT ANGLE COMPRESSION FITTING, 1/2" TUBING - 1/4" NPT	1
22	AIRLINE CLIP	14
23	AIRLINE TO WIRE CLIP	6
24	SERVICE BRAKE AIRLINE, FRONT AXLE	2
25	EMERGENCY BRAKE AIRLINE, FRONT AXLE	2
26	SERVICE BRAKE AIRLINE, REAR AXLE	2
27	EMERGENCY BRAKE AIRLINE, REAR AXLE	2
28	1/2" AIRLINE, SERVICE SUPPLY LINE	1
29	1/2" AIRLINE, SERVICE VALVE TO EMERGENCY VALVE	1
30	3/8" AIRLINE, EMERGENCY SUPPLY LINE	1
31	BOLT, 3/8-16 UNC X 1.5"	4
32	NUT, 3/8-16 UNC	4
33	AIR VALVE	1
34	3/8" NYLON AIRLINE, AIR VALVE SUPPLY	1
35	3/8" NYLON AIRLINE, CONTROL LINES HYD VALVE	2
36	1/4" NPT COUPLER	1
37	NIPPLE, 1/4 NPT X 1.5 INCH	1



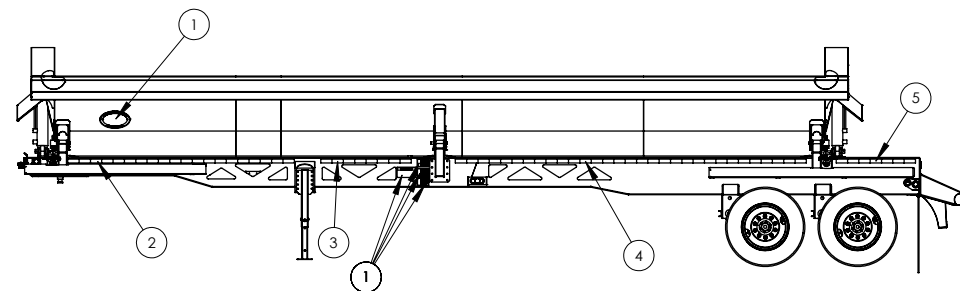
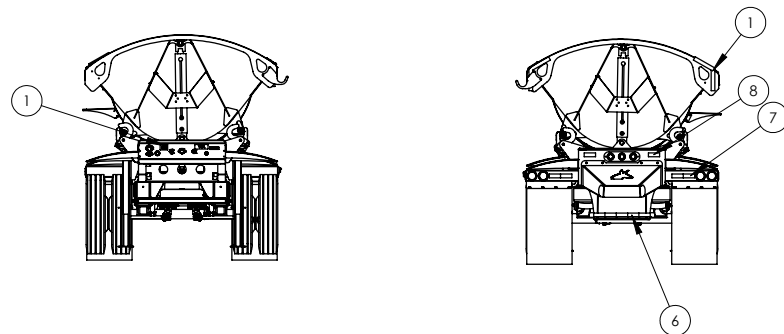
ITEM #	DESCRIPTION	QTY
1	DUMP CYL	2
2	3/4" SAE O-RING TO 3/4" JIC 90 DEGREE	4
3	5/8 HYD HOSE ASSEMBLY	1
4	5/8 HYD HOSE ASSEMBLY	1
5	1" FEMALE QUICK COUPLER ISO7241-1 SERIES B 1"NPT	1
6	1" MALE QUICK COUPLER ISO7241-1 SERIES B 1"NPT	1
7	1" JIC BULKHEAD TO 1" NPT FITTING WITH NUT	2
8	1" HYD HOSE ASSEMBLY	2
9	1" HYD HOSE ASSEMBLY	1
10	3/4" JIC BULKHEAD FITTING WITH NUT	4
11	5/8 HYD HOSE ASSEMBLY	1
12	5/8 HYD HOSE ASSEMBLY	1
13	5/8 HYD HOSE ASSEMBLY	1
14	5/8 HYD HOSE ASSEMBLY	1
15	5/8 HYD HOSE ASSEMBLY	1
16	5/8 HYD HOSE ASSEMBLY	1
17	FLOW DIVIDER	1
18	3/4" SAE O-RING TO 3/4" JIC	2
19	3/4" SAE O-RING TO 1" JIC 90 DEGREE	1



ITEM #	DESCRIPTION	QTY
1	DIAMOND PLATE FENDER SKIN	2
2	FRONT FENDER BRACKET	1
3	FENDER BRACKET	7
4	FENDER MOUNTING BRACKET	7
5	BOLT, 3/8-16 UNC 1" G5	38
6	WASHER, 3/8	76
7	NYLOCK, 3/8-16 UNC	38
8	WASHER PLATE	1
9	MUDFLAP, 42" RUBBER	1



ITEM#	DESCRIPTION	QTY
1	AMBER CLEARANCE LIGHT	2
2	TWO WIRE PLUG	5
3	6 PIN RECEPTACLE	1
4	GATE/LATCH CONTROL VALVE WIRE	1
5	7 PIN RECEPTACLE	1
6	7 PIN RECEPTACLE BOOT	1
7	NUT, 1/4-20 UNC	2
8	SIDE CLEARANCE LIGHT WIRE	2
9	MIDDLE SIDE CLEARANCE/SIGNAL LIGHT	2
10	3 WIRE PLUG	2
11	MIDDLE SIDE DROPPER WIRE	2
12	FEMALE CRIMP PLUG	6
13	MALE CRIMP PLUG	7
14	MIDDLE SIDE SIGNAL LIGHT WIRE	2
15	ABS SENSOR	2
16	ABS SENSOR WIRE	2
17	ECU/VALVE ASSEMBLY	1
18	ECU WIRE	1
19	ABS LIGHT WIRE	1
20	ABS LIGHT	1
21	BOLT, 1/4-20 UNC X 1.5"	2
22	7 WIRE HARNESS	1
23	REAR WIRE HARNESS, (SOLD WITH ITEM 22)	1
24	RED CLEARANCE LIGHT	5
25	REAR CLEARANCE LIGHT WIRE	1
26	LICENSE PLATE LIGHT	1
27	SIGNAL LIGHT PLUG	2
28	TAILLIGHT	4
29	LOCKWASHER, 1/4"	2
30	DUMP VALVE ASSEMBLY, SEE PAGE 13	



ITEM #	DESCRIPTION	QTY
1	LABEL KIT	1
2	REFLECTIVE CONSPICUITY TAPE, 120"	2
3	REFLECTIVE CONSPICUITY TAPE, 48"	2
4	REFLECTIVE CONSPICUITY TAPE, 186"	2
5	REFLECTIVE CONSPICUITY TAPE, 42"	2
6	REFLECTIVE CONSPICUITY TAPE, 30"	1
7	REFLECTIVE CONSPICUITY TAPE, 12"	2
8	REFLECTIVE CONSPICUITY TAPE, 6"	2