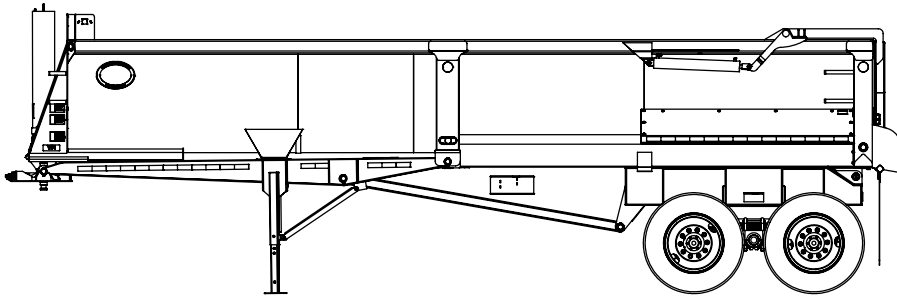


PARTS BOOK



STANDARD QUARTER FRAME HALF ROUND TRAILER 28' LENGTH 48" SIDE HEIGHT

CONSTRUCTION TRAILER SPECIALISTS, INC.

2535 ROSE PARKWAY
SIKESTON, MO 63801
TOLL FREE: 888-669-0003
PH: 573-481-0941
FX: 573-481-0953
E-MAIL: parts@trailerbuilders.com
www.constructiontrailerspecialists.com

Thanks for choosing Construction Trailer Specialists, Inc., we manufacture a line of trailers in a size to fit your needs.

-End dump trailers in Half Round, Elliptical, or Light weight configurations available Frameless, Quarter Frame or Full Frame. Elliptical scrap/demo trailers available in lengths from 22 to 40 ft, with 46-100 inch sides.

-Bottom dump trailers in 32-42 ft lengths, with Low Profile, Lightweight, and Insulated Hot Mix versions available.

-Grain trailers in 34-42 ft lengths.

-Side dump trailers.

-Walking floor trailers.

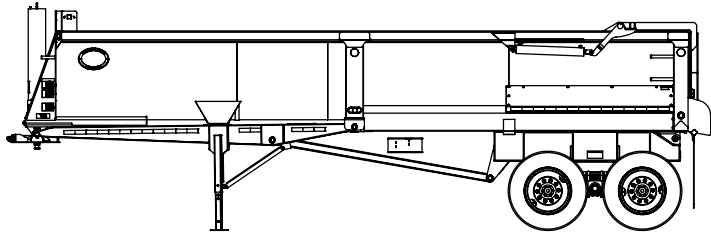
-In addition, we offer a variety of suspension and tarp options to suit your needs.

When ordering parts be sure to have the trailer's vehicle identification number (VIN) at hand so we can be sure to get you the correct parts for your trailer.

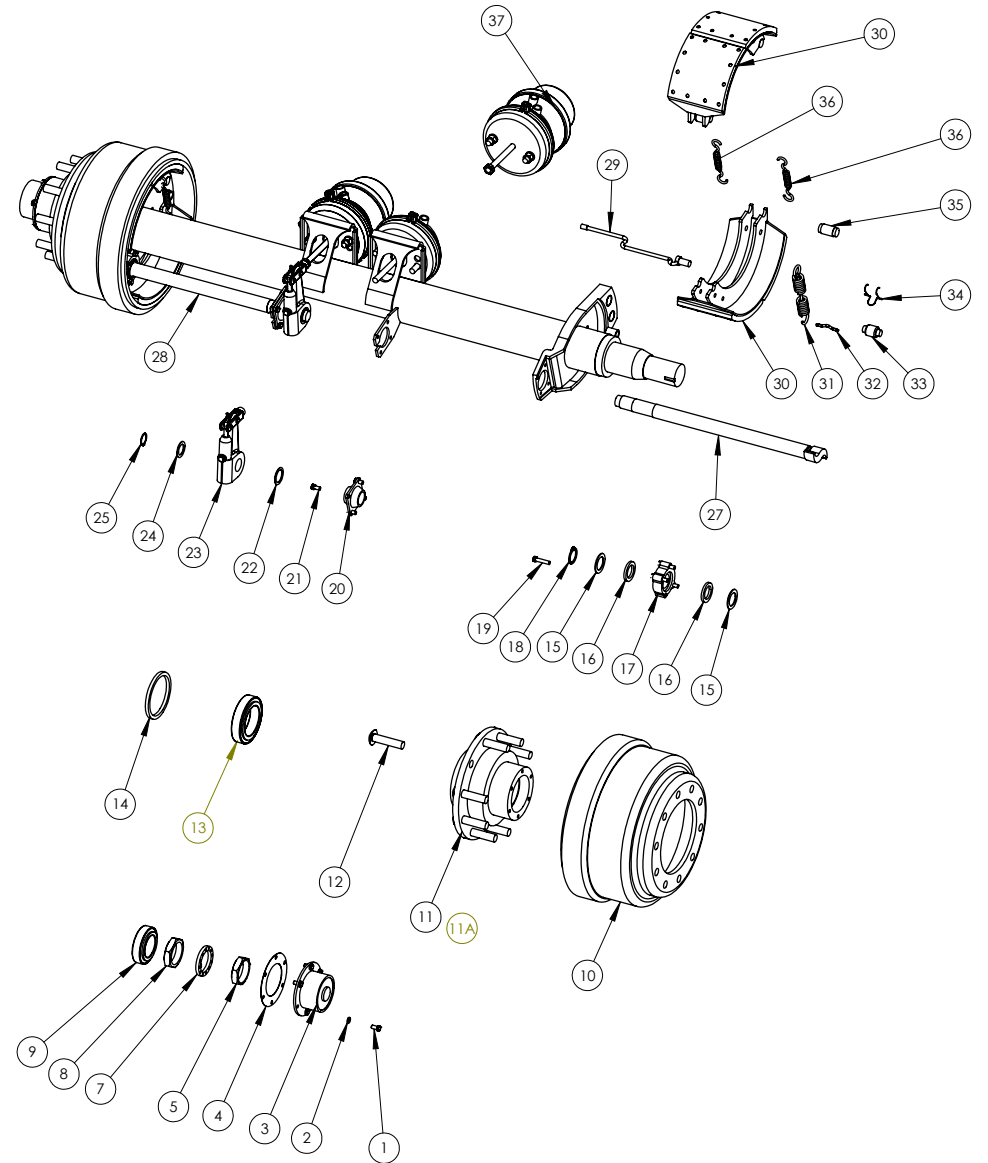
Remember this parts book is for a "standard" trailer, if your trailer is not standard dimensions some parts may not interchange with those listed here, contact the factory if you are unsure.

We will be working on, adding to, and improving this and other parts books in the near future. We welcome any comments or suggestions on how we may make them work better for you. Thanks again!!!

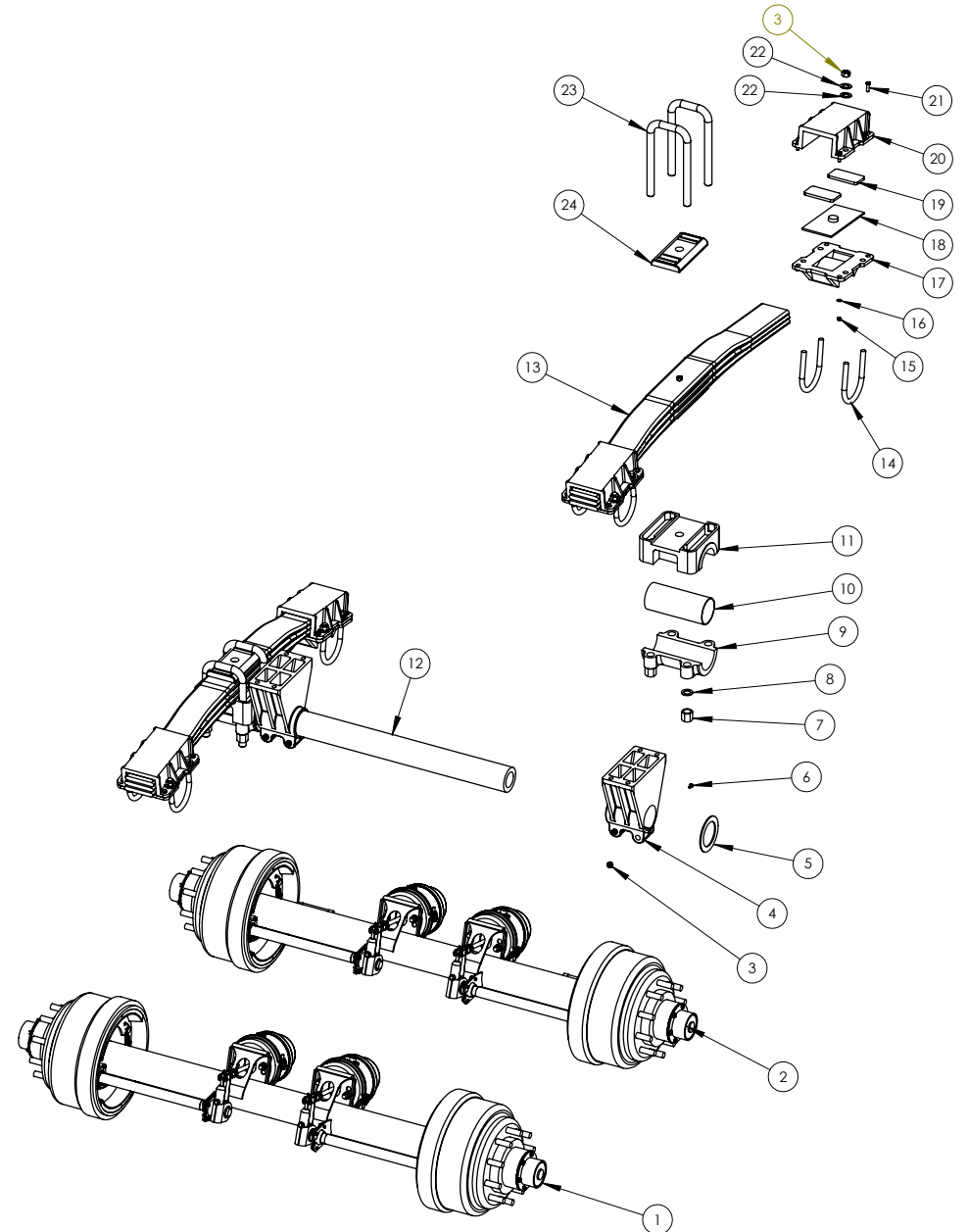
TABLE OF CONTENTS



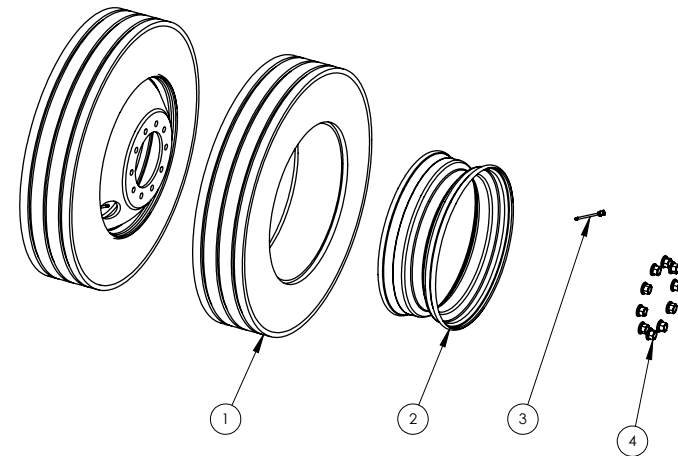
DESCRIPTION	PAGE
AXLE	2-3
SUSPENSION	4-5
WHEELS	6
FRONT BODY	7
SUSPENSION SUBFRAME	8-9
BODY	10-11
REAR BODY BRACE	12-13
MIDDLE BODY BRACE	14
REAR GATE LATCH	15
REAR GATE	16-17
DRAFT ARM	18
FIFTH WHEEL	19
SECONDARY DRAFT ARM	20
FENDERS	21
WIRING	22-23
PLUMBING	24-25
GATE VALVE ASSEMBLY	26
DECALS	27



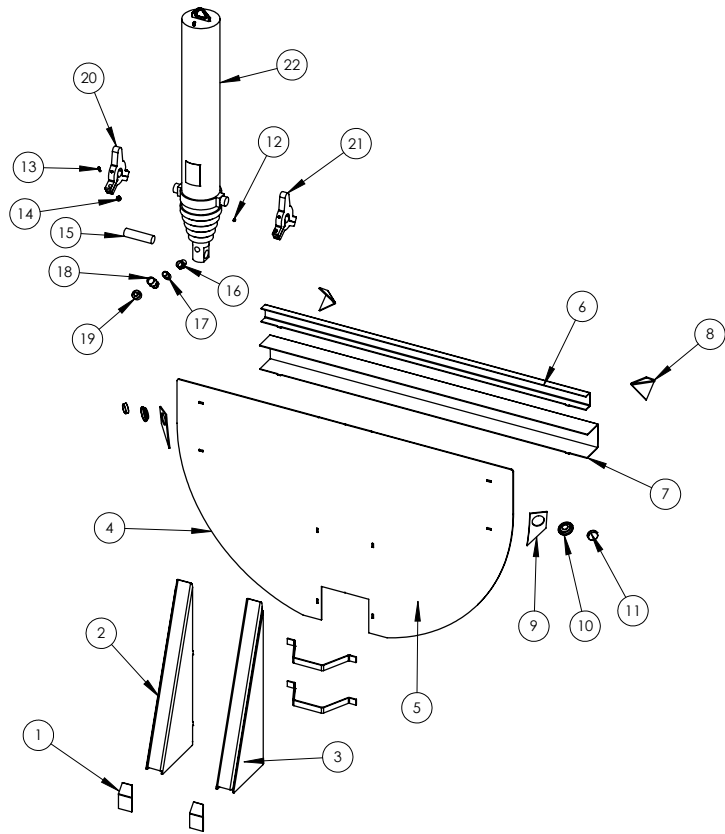
ITEM #	DESCRIPTION	QTY PER AXLE
1	BOLT, 5/16-18 UNC X 3/4"	12
2	LOCK WASHER, 5/16"	12
3	HUBCAP, INCLUDES ITEM 4	2
4	HUBCAP GASKET	2
5	WHEEL BEARING JAM NUT	2
7	WHEEL BEARING LOCK WASHER	2
8	WHEEL BEARING ADJUSTING NUT	2
9	OUTER WHEEL BEARING	2
10	BRAKE DRUM	2
11	HUB WITH ABS TOOTH WHEEL (REAR AXLE ONLY)	2
11A	HUB WITHOUT ABS TOOTH WHEEL (FRONT AXLE ONLY)	2
12	WHEEL STUD	20
13	INNER WHEEL BEARING	2
14	WHEEL BEARING SEAL	2
	CAM BUSHING KIT, ITEMS 15-22, 24, 25	2
15	WASHER	4
16	SEAL	4
17	CAMSHAFT BUSHING, OUTER	2
18	SNAP RING	2
19	BOLT	8
20	CAMSHAFT BUSHING, INNER	2
21	BOLT	8
22	WASHER	2
23	SLACK ADJUSTER ASSEMBLY	2
24	WASHER	2
25	SNAP RING	2
27	CAMSHAFT, LEFT	1
28	CAMSHAFT, RIGHT	1
29	ABS SENSOR (REAR AXLE ONLY)	2
	BRAKE KIT, ITEMS 30-36	2
30	BRAKE SHOE	4
31	BRAKE SHOE RETURN SPRING	2
32	PIN, BRAKE SHOE RETURN SPRING	4
33	BRAKE SHOE ROLLER	4
34	RETAINER, BRAKE SHOE ROLLER	4
35	ANCHOR PIN	4
36	BRAKE SHOE RETAINING SPRING	4
37	AIR CHAMBER	2



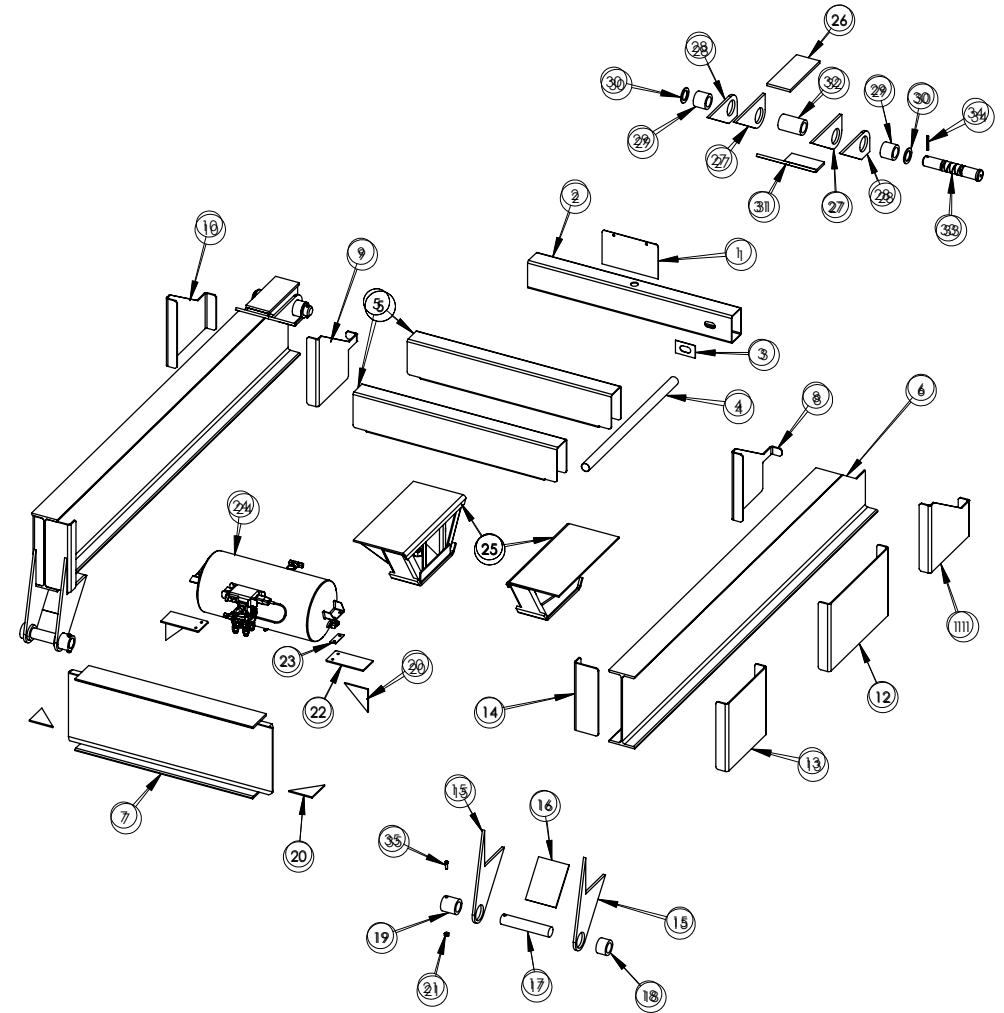
ITEM #	DESCRIPTION	QTY
1	FRONT AXLE	1
2	REAR AXLE	1
3	LOCKNUT, 3/4-16 UNF	20
4	TRUNION HANGER	2
5	TRUNION WASHER	2
6	BOLT, 3/4-16 UNF X 4.5" GR5	4
7	NUT, 1 1/8-12 UNF X 1.5" THICK	8
8	WASHER, 1 1/4"ID X 2 1/4"OD X 1/8" THICK	8
9	LOWER TRUNION HUB	2
10	TRUNION BUSHING, FREE OSCILLATING	2
11	UPPER TRUNION HUB	2
12	TRUNION TUBE	1
13	SPRING	2
14	AXLE U-BOLT	8
15	LOCKNUT, 5/8-18 UNF	16
16	WASHER, 2 1/32" OD X 1 15/16" ID X 1/8"	16
17	SPRING SEAT	4
18	ADJUSTMENT PLATE	4
19	RUBBER PAD	8
20	SPRING END CAP	4
21	BOLT, 5/8-18 UNF X 2", GR5	16
22	WASHER, 13/16"ID X 1 1/2"OD X 1/8"	32
23	TRUNION U-BOLT	4
24	TOP PLATE	2



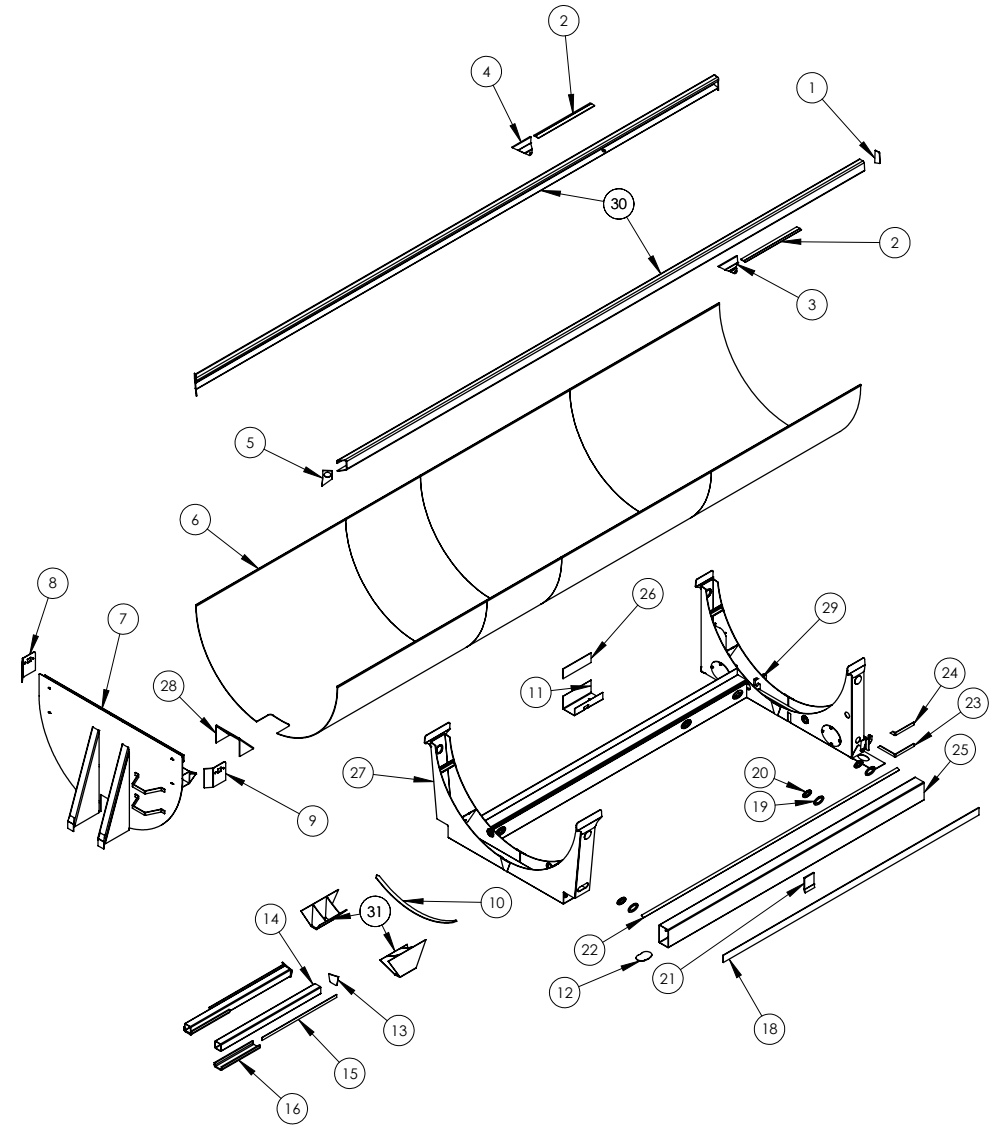
ITEM #	DESCRIPTION	QTY PER TRAILER
1	TIRE	8
2	RIM	8
3	VALVESTEM	8
4	LUGNUT	40



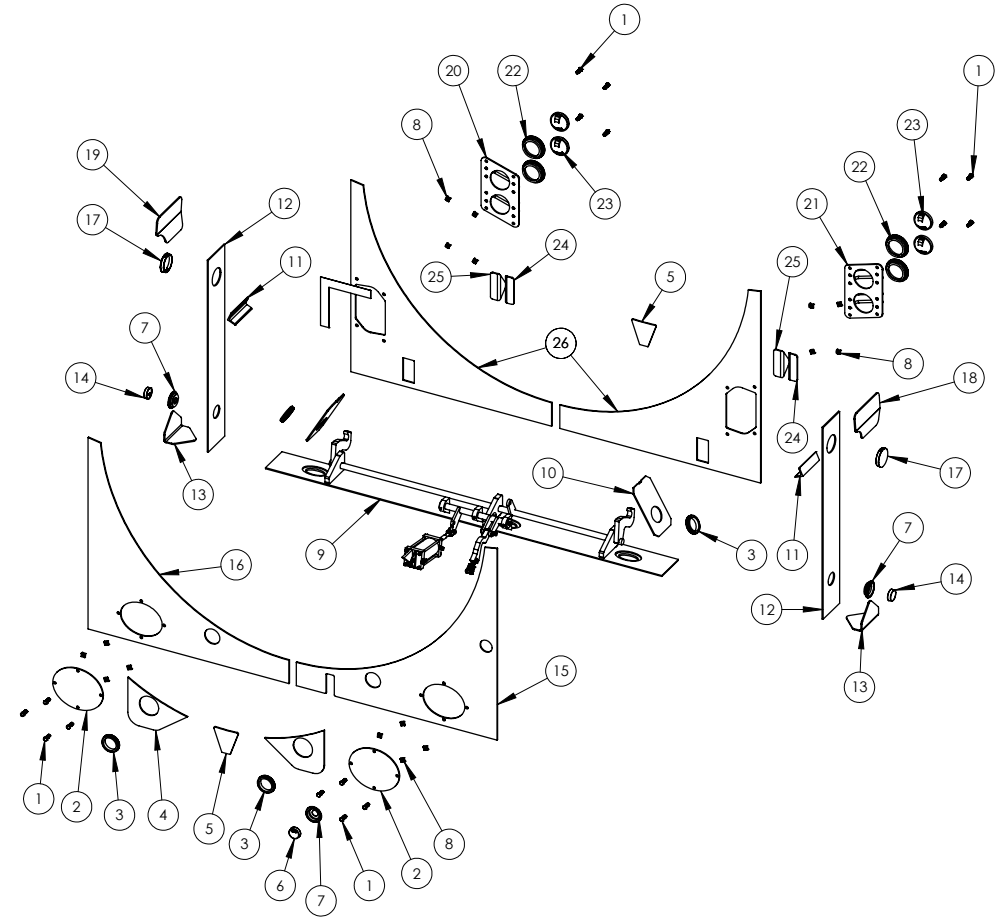
ITEM#	DESCRIPTION	QTY
1	CYLINDER MOUNT CHANNEL CAP	2
2	CYLINDER MOUNT CHANNEL, RIGHT	1
3	CYLINDER MOUNT CHANNEL, LEFT	1
4	NOSE PLATE	1
5	LADDER RUNG	3
6	SMALL INSIDE NOSE CHANNEL	1
7	LARGE INSIDE NOSE CHANNEL	1
8	INSIDE GUSSET	2
9	TOP RAIL FRONT END CAP	2
10	FLUSH GROMMET, CLEARANCE LIGHT	2
11	AMBER CLEARANCE LIGHT	2
12	GREASE ZERK	1
13	BOLT, 3/4-10 UNC X 3.5" GR5	4
14	LOCKNUT, 3/14-10 UNC	4
15	CYLINDER PIN	1
16	45 DEGREE MALE-FEMALE FITTING, 1" NPT	1
17	1" NPT NIPPLE	1
18	HYDRAULIC COUPLER	1
19	CAP, HYDRAULIC COUPLER	1
20	UPPER CYLINDER MOUNT, RIGHT	1
21	UPPER CYLINDER MOUNT, LEFT	1



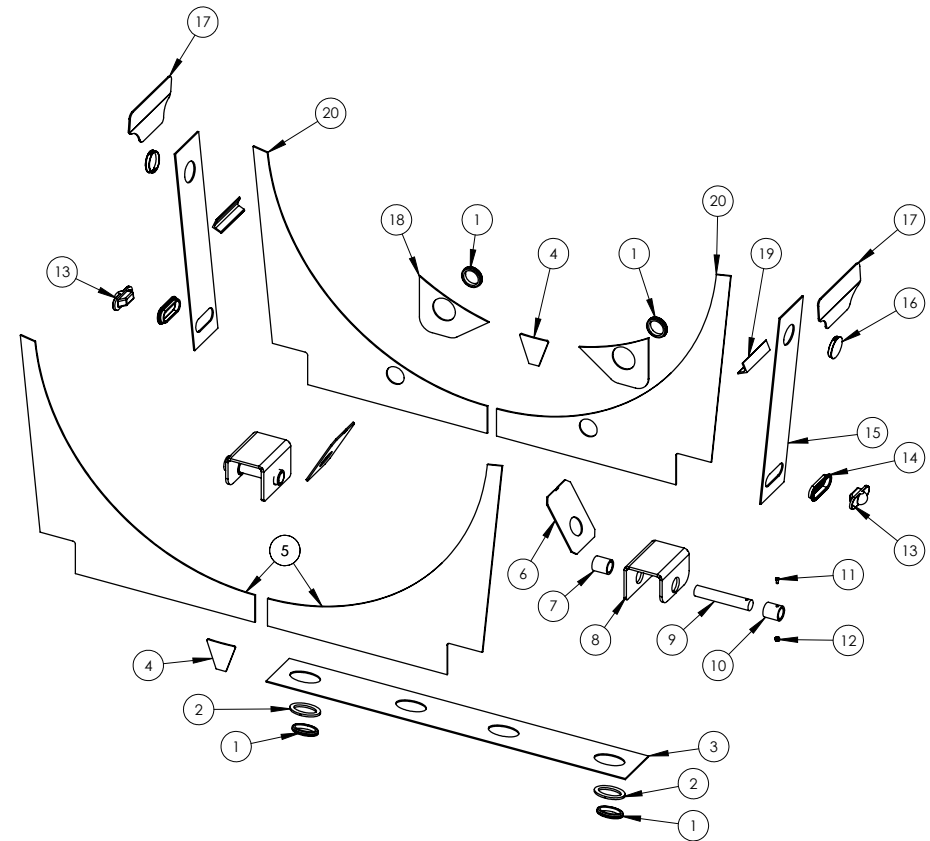
ITEM#	DESCRIPTION	QTY
1	LICENSE PLATE BRACKET	1
2	SUBFRAME LIGHT TUBE	1
3	AIR LINE AND WIRE LOOM	1
4	WIRE TUBE	1
5	SUBFRAME CROSS MEMBER	2
6	SUBFRAME I-BEAM	2
7	SUBFRAME FRONT I-BEAM	1
8	INSIDE CHANNEL, LEFT	1
9	INSIDE CHANNEL, RIGHT	1
10	OUTSIDE CHANNEL, RIGHT	1
11	OUTSIDE CHANNEL, LEFT	1
12	SIDE CHANNEL	2
13	FRONT CHANNEL	2
14	FRONT ANGLE	2
15	SECONDARY MOUNT PLATE	4
16	SECONDARY MOUNT GUSSET	2
17	SECONDARY MOUNT PIN	2
18	SECONDARY MOUNT OUTSIDE DOM	2
19	SECONDARY MOUNT INSIDE DOM	2
20	FRONT GUSSET	4
21	LOCK NUT, 1/2-13 UNC	2
22	AIR TANK MOUNTING PLATE	2
23	AIR TANK MOUNTING PAD	2
24	AIR TANK ASSEMBLY, SEE PAGE 22-23	1
25	SUSPENSION MOUNTING BRACKET	2
26	UPPER HINGE TOP PLATE	2
27	UPPER HINGE SIDE PLATE	4
28	LOWER HINGE SIDE PLATE	4
29	LOWER HINGE DOM	4
30	HINGE WASHER	4
31	HINGE BASE PLATE	2
32	UPPER HINGE DOM	2
33	HINGE PIN	2
34	ROLL PIN	2
35	BOLT, 1/2-13 UNC X 3.5"	2



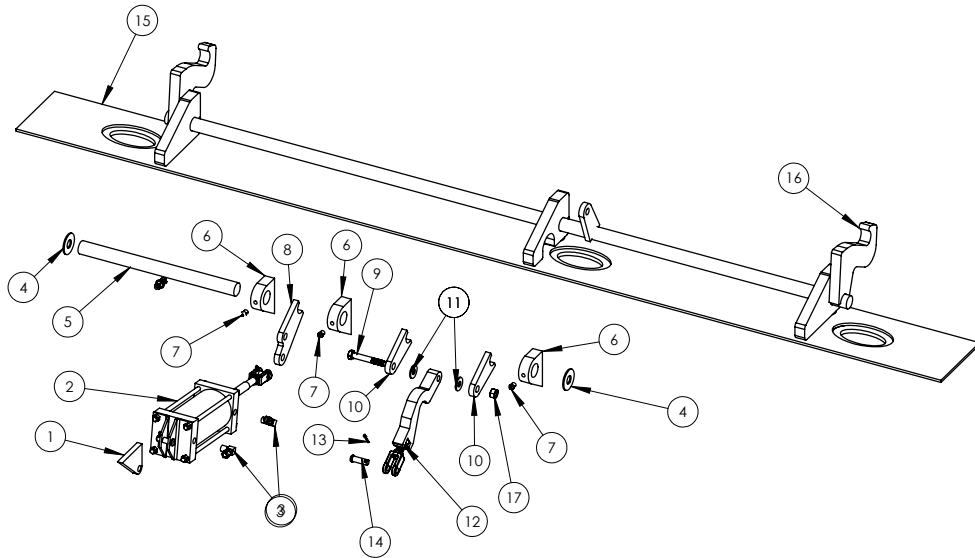
ITEM#	DESCRIPTION	QTY
1	TOP RAIL REAR END CAP	2
2	GATE CYLINDER DIRT SHEDDER	2
3	GATE CYLINDER FRONT BRACKET, LEFT	1
4	GATE CYLINDER FRONT BRACKET, RIGHT	1
5	TOP RAIL FRONT END CAP	2
6	TUB, SOLD BY 8 FOOT SECTION	
7	NOSE ASSEMBLY, SEE PAGE 12	
8	NOSE/TOP RAIL GUSSET, RIGHT	1
9	NOSE/TOP RAIL GUSSET, LEFT	2
10	TUB SECTION JOINT COVER STRAP	1
11	VALVE BRACKET	1
12	FRAME TUBE REINFORCEMENT	2
13	FRONT LONGITUDINAL FRAME END CAP	2
14	FRONT LONGITUDINAL FRAME	2
15	FRONT LONGITUDINAL FRAME SIDE COVER	2
16	FRONT LONGITUDINAL REINFORCEMENT CHANNEL	2
17	DRAFT ARM CRADLE	2
18	REAR LONGITUDINAL FRAME OUTSIDE CAP	2
19	OVAL CUTOUT	8
20	3" GROMMET	5
21	SUBFRAME GUIDE PLATE	2
22	REAR LONGITUDINAL FRAME INSIDE CAP	2
23	SIDE LADDER RUNG, LOWER	1
24	SIDE LADDER RUNG, UPPER	1
25	REAR LONGITUDINAL FRAME	2
26	VALVE BRACKET EXTENSION PLATE	1
27	MIDDLE BODY BRACE ASSEMBLY, SEE PAGE 13	
28	DOG HOUSE COVER	1
29	REAR BODY BRACE ASSEMBLY, SEE PAGE 10-11	
30	TOP RAIL, REPAIR SECTION SOLD BY THE FT (XX=FEET)	
31	DRAFT ARM PEDESTAL	2



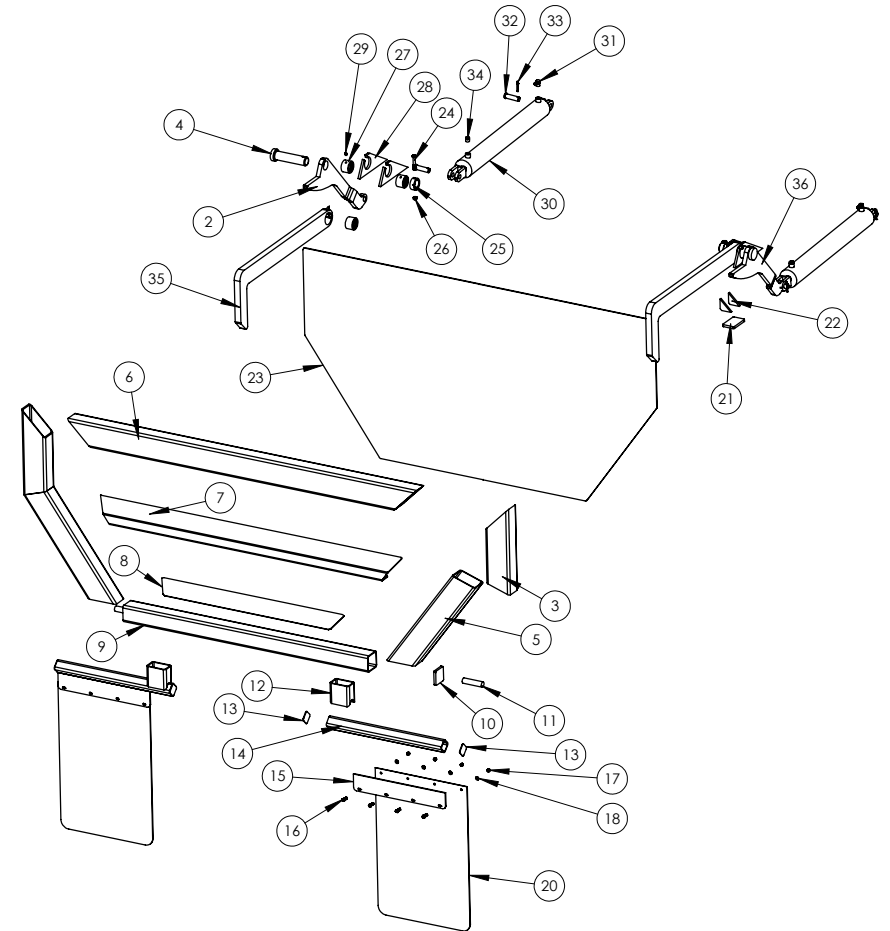
ITEM#	DESCRIPTION	QTY
1	BOLT, 1/2-13 UNC X 1"	16
2	REAR BODY BRACE ACCESS COVER	2
3	3" GROMMET	4
4	REAR LONGITUDINAL FRAME WELD PLATE	2
5	BODY BRACE CENTER CONNECTOR PLATE	2
6	ABS LIGHT	1
7	FLUSH GROMMET, CLEARANCE LIGHT	3
8	SQUARE NUT, 1/2-13 UNC	16
9	BOTTOM LATCH ASSEMBLY, SEE PAGE 16	
10	REAR BODY BRACE INSIDE PLATE	2
11	REAR BODY BRACE STIFFENER	2
12	REAR BODY BRACE SIDE PLATE	2
13	REAR BODY BRACE CORNER PLATE	2
14	CLEARANCE LIGHT, RED	2
15	REAR BODY BRACE FRONT PLATE, LEFT	1
16	REAR BODY BRACE FRONT PLATE, RIGHT	1
17	BODY BRACE ACCESS PLUG	2
18	REAR BODY BRACE GUSSET, LEFT	1
19	REAR BODY BRACE GUSSET, RIGHT	1
20	TAILLIGHT PLATE, RIGHT	1
21	TAILLIGHT PLATE, LEFT	1
22	TAILLIGHT GROMMET	4
23	TAILLIGHT	4
24	LATCH HOOK GUARD, LEFT	2
25	LATCH HOOK GUARD, RIGHT	2
26	REAR BODY BRACE REAR PLATE	2



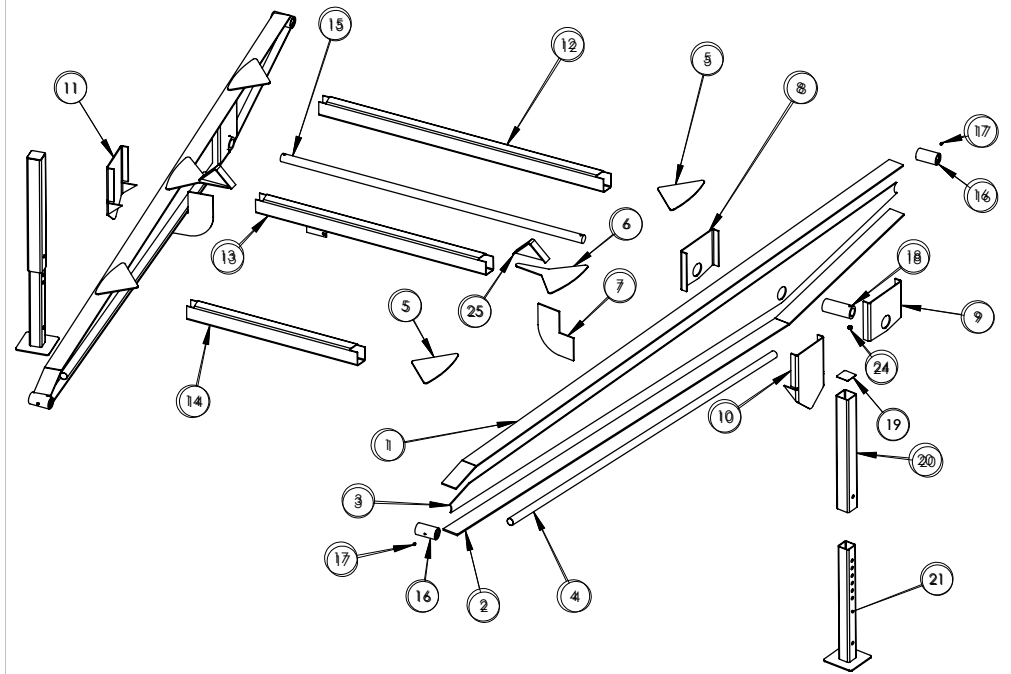
ITEM#	DESCRIPTION	QTY
1	3" GROMMET	4
2	OVAL CUTOUT	2
3	MIDDLE BODY BRACE BOTTOM PLATE	1
4	BODY BRACE CENTER CONNECTOR PLATE	2
5	MIDDLE BODY BRACE FRONT PLATE	2
6	MIDDLE BODY BRACE INSIDE PLATE	2
7	DRAFT ARM MOUNT INSIDE BUSHING	2
8	DRAFT ARM MOUNT BRACKET	2
9	DRAFT ARM MOUNT PIN	2
10	DRAFT ARM MOUNT OUTSIDE BUSHING	2
11	BOLT, 1/2-13 UNC X 3.5"	2
12	LOCKNUT, 1/2-13 UNC	2
13	SIDE CLEARANCE AND SIGNAL LIGHT	2
14	OVAL LIGHT GROMMET	2
15	MIDDLE BODY BRACE SIDE COVER	2
16	BODY BRACE ACCESS PLUG	2
17	MIDDLE BODY BRACE GUSSET	2
18	REAR LONGITUDINAL FRAME WELD PLATE	2
19	MIDDLE BODY BRACE STIFFENER	2
20	MIDDLE BODY BRACE REAR PLATE	2



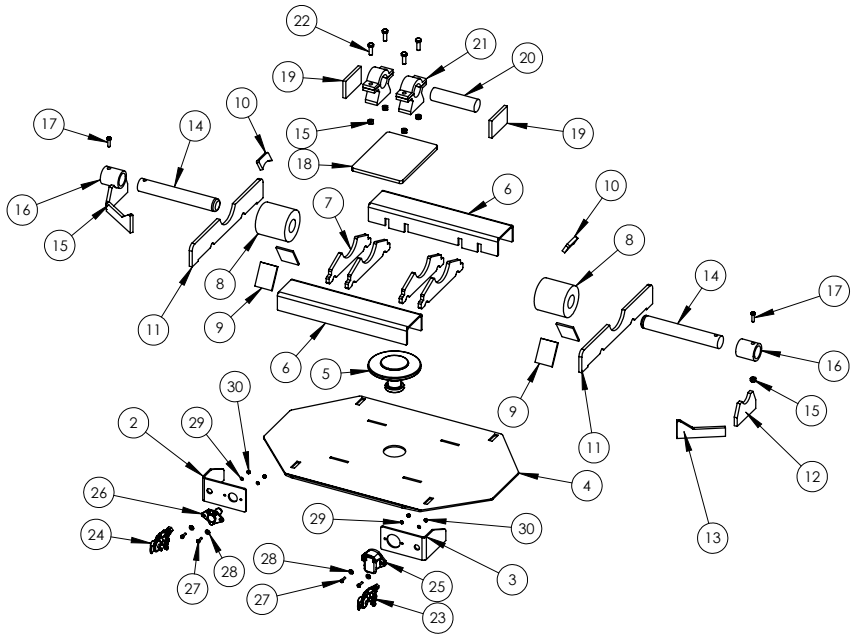
ITEM#	DESCRIPTION	QTY
1	LATCH CYLINDER MOUNT	1
2	LATCH CYLINDER	1
3	RIGHT ANGLE COMPRESSION FITTING, 3/8" TUBING TO 1/4" NPT	2
4	FLAT WASHER, 3/4"	2
5	LATCH CAM SHAFT	1
6	LATCH CAM SHAFT PIVOT	3
7	GREASE FITTING	3
8	LATCH CYLINDER BAR	1
9	BOLT, 1/2"-13 UNC X 3"	1
10	LATCH CAM PLATE	2
11	FLAT WASHER, 1/2"	2
12	LATCH CONNECTOR BAR ASSEMBLY	1
13	COTTER PIN, 1/8"	1
14	CLEVIS PIN, 1/2" X 1.5"	1
15	LATCH PLATE ASSEMBLY	1
16	LATCH HOOK	1
17	LOCKNUT, 1/2"-13 UNC	1



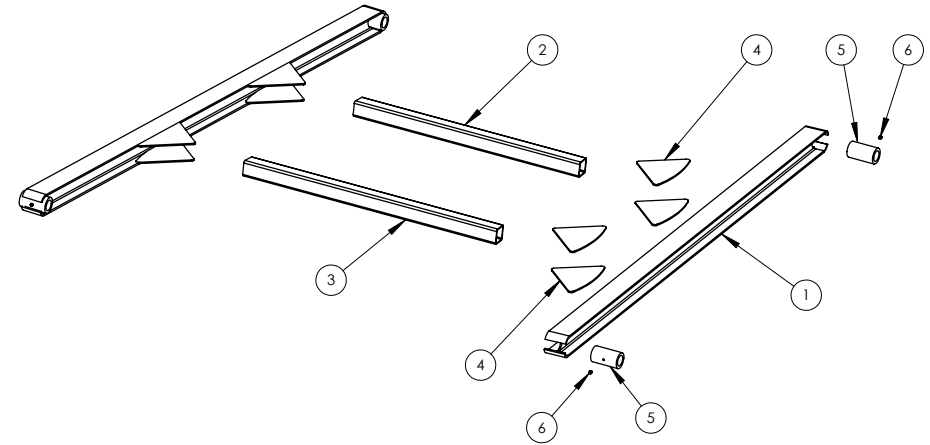
ITEM#	DESCRIPTION	QTY
1	COMPLETE GATE ASSEMBLY, DOES NOT INCLUDE ITEMS: 2, 4, 16-20, 24-34	
2	GATE CYLINDER ARM, LEFT	1
3	GATE SIDE TUBE, 48"	2
4	HINGE PIN	2
5	GATE ANGLE TUBE	2
6	GATE TOP CHANNEL	1
7	GATE MIDDLE CHANNEL	1
8	GATE DIRT SHEDDER	1
9	GATE BOTTOM TUBE	1
10	GATE BOTOM TUBE END PLATE	2
11	BOTTOM LATCH PIN	2
12	MUDFLAP BRACKET SPACER	2
13	MUDFLAP BRACKET TUBE CAP	4
14	MUDFLAP BRACKET TUBE	2
15	MUDFLAP BRACKET PLATE	2
16	BOLT, 3/8-16 UNC X 1.5"	8
17	NUT, 3/8-16	8
18	LOCKWASHER, 3/8	8
19	FLAT WASHER, 3/8	8
20	MUDFLAP	2
21	CYLINDER ARM TAB	2
22	CYLINDER ARM TAB GUSSET	4
23	GATE PLATE	1
24	BOLT, 1/2-13 X 3.5	2
25	HINGE PIN COLLAR	2
26	LOCKNUT, 1/2-13	2
27	HINGE BUSHING	6
28	HINGE PLATE	2
29	GREASE FITTING	6
30	GATE LIFT CYLINDER	2
31	RIGHT ANGLE COMPRESSION FITTING, 3/8" TUBING -1/2" NPT	2
32	1" CLEVIS PIN	4
33	COTTER PIN, 1/4"	4
34	BREATHER VENT, 1/2"NPT	2
35	GATE LIFT ARM	2
36	GATE CYLINDER ARM, RIGHT	1



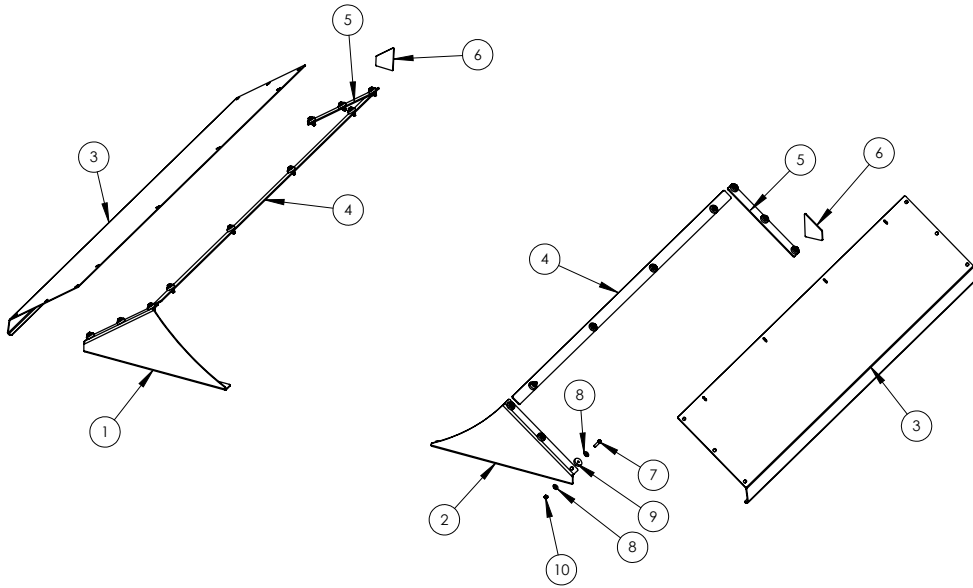
ITEM#	DESCRIPTION	QTY
1	DRAFT ARM TOP FLANGE	2
2	DRAFT ARM BOTTOM FLANGE	2
3	DRAFT ARM WEB	2
4	WIRE TUBE	2
5	DRAFT ARM GUSSET	4
6	LONG DRAFT ARM GUSSET	2
7	LANDING GEAR GUSSET	2
8	SECONDARY DRAFT ARM PIVOT BRACE, RIGHT	2
9	SECONDARY DRAFT ARM PIVOT BRACE, LEFT	2
10	LANDING GEAR BRACKET, LEFT	1
11	LANDING GEAR BRACKET, RIGHT	1
12	DRAFT ARM REAR CROSS MEMBER	1
13	DRAFT ARM MIDDLE CROSS MEMBER	1
14	DRAFT ARM FRONT CROSS MEMBER	1
15	SECONDARY DRAFT ARM PIVOT SHAFT	1
16	DRAFT ARM BUSHING	4
17	GREASE FITTING	4
18	SECONDARY DRAFT ARM PIVOT DOM	2
19	LANDING GEAR COVER PLATE	2
20	LANDING GEAR SLEEVE	2
21	LANDING GEAR FOOT	2
22	LANDING GEAR PIN WITH HAIRPIN	2
23	BOLT, 1/2-13 UNC X 4"	2
24	NUT, 1/2-13 UNC	2
25	DRAFT ARM PEDESTAL GUIDE BLOCK	2
26	PRIMARY DRAFT ARM ASSEMBLY, ITEMS 1-20, 23, 24	



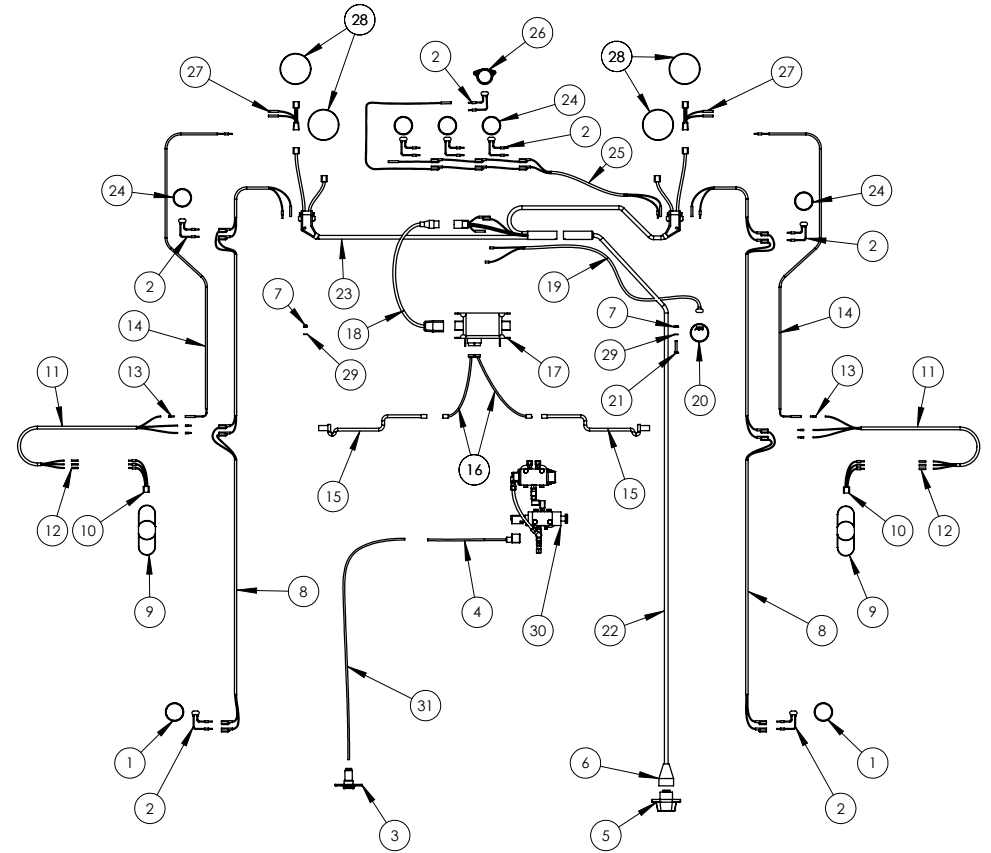
ITEM#	DESCRIPTION	QTY
1	FIFTH WHEEL ASSEMBLY, (PARTS 2-22)	
2	GLADHAND BRACKET, RIGHT	1
3	GLADHAND BRACKET, LEFT	1
4	FIFTH WHEEL PLATE	1
5	KINGPIN	1
6	FIFTH WHEEL CHANNEL	2
7	INSIDE CRADLE PLATE	4
8	CRADLE DOM	2
9	CRADLE DOM GUSSET	4
10	GUIDE TAB	2
11	OUTSIDE CRADLE PLATE	2
12	DRAFT ARM FRONT PIN BUSHING SUPPORT	2
13	DRAFT ARM FRONT PIN BUSHING GUSSET	2
14	FRONT DRAFT ARM PIN	2
15	LOCKNUT, 1/2-13 UNC	6
16	DRAFT ARM PIN BUSHING	2
17	BOLT, 1/2-13 UNC X 3.5"	2
18	KINGPIN PLATE	1
19	CYLINDER PIN SIDE PLATE	2
20	CYLINDER PIN	1
21	LOWER CYLINDER MOUNT	2
22	BOLT, 1/2-13 UNC X 2"	4
23	EMERGENCY GLADHAND COUPLER, SEE PAGE 24-25	
24	SERVICE GLADHAND COUPLER, SEE PAGE 24-25	
25	7 PIN RECEPTACLE, SEE PAGE 22-23	
26	6 PIN RECEPTACLE, SEE PAGE 22-23	
27	BOLT, 1/4-20 UNC X 1"	4
28	FLAT WASHER, 1/4"	4
29	LOCKWASHER, 1/4"	4
30	NUT 1/4-20 UNC	4



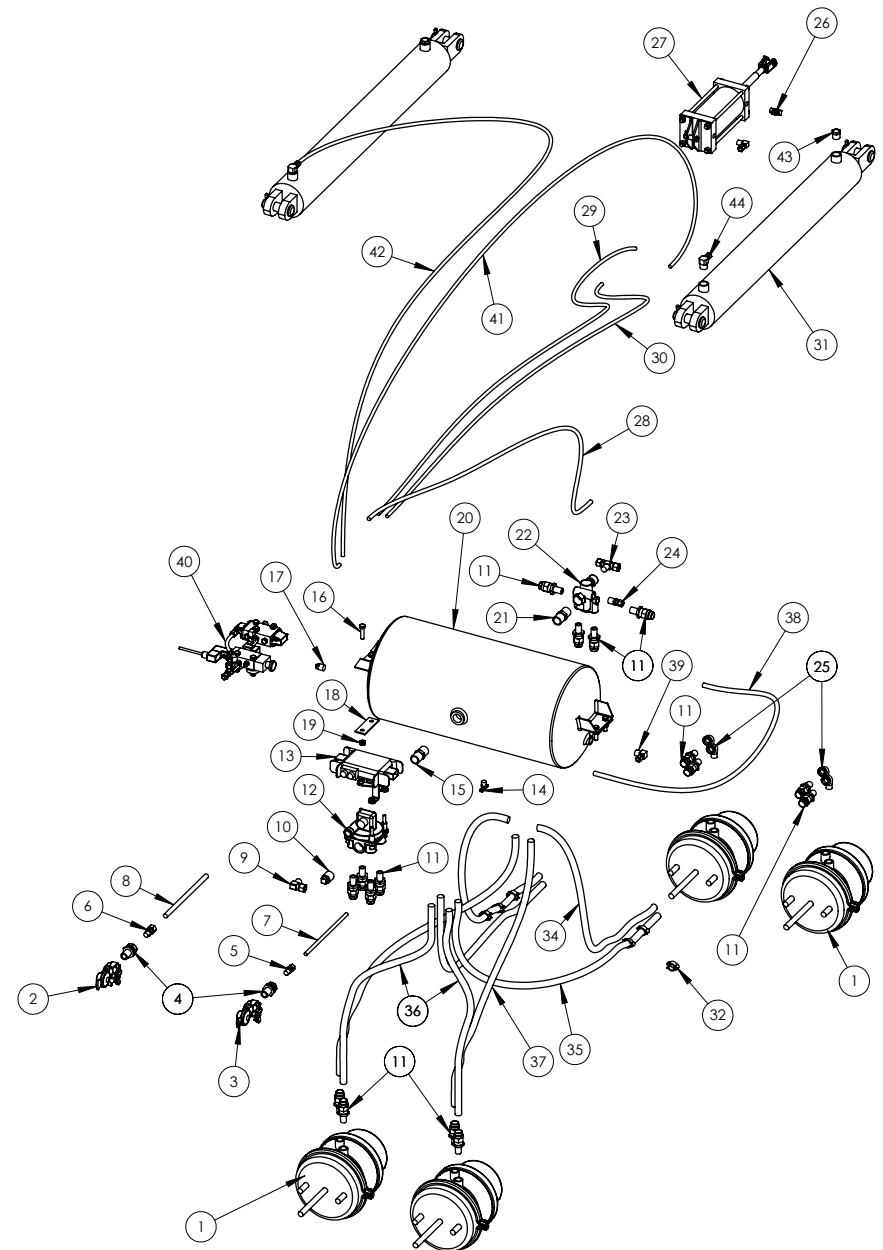
ITEM#	DESCRIPTION	QTY
1	SECONDARY DRAFT ARM I-BEAM	2
2	SECONDARY DRAFT ARM REAR CROSS MEMBER	1
3	SECONDARY DRAFT ARM FRONT CROSS MEMBER	1
4	DRAFT ARM GUSSET	8
5	DRAFT ARM BUSHING	4
6	GREASE FITTING	4
7	SECONDARY DRAFT ARM ASSEMBLY, ITEMS 1-6	



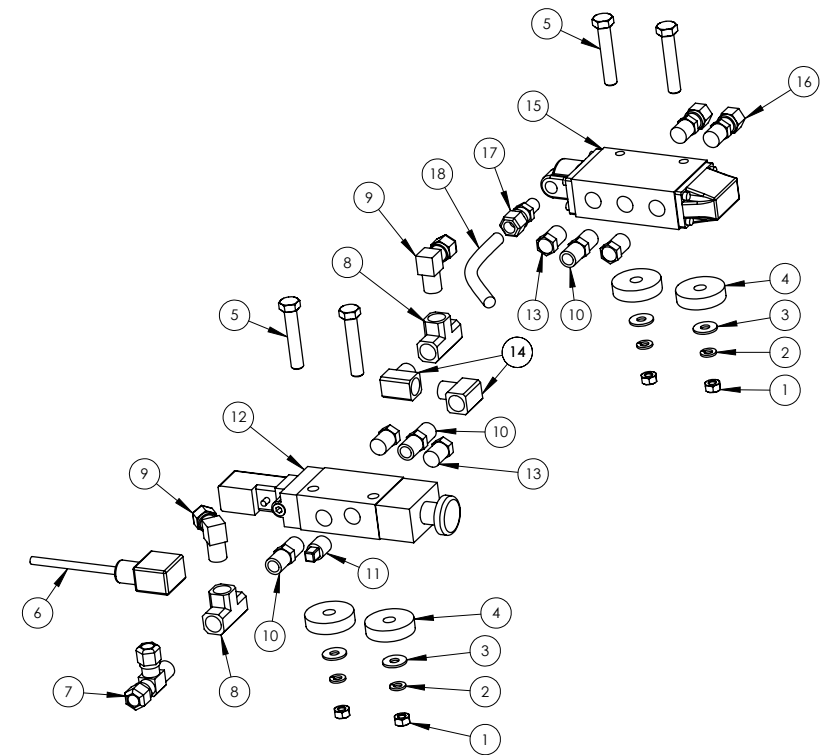
ITEM#	DESCRIPTION	QTY
1	RIGHT FENDER BRACKET, FRONT	1
2	LEFT FENDER BRACKET, FRONT	1
3	REAR FENDER	2
4	MIDDLE FENDER BRACKET	2
5	FENDER BRACKET, REAR	2
6	REAR FENDER BRACKET GUSSET	2
7	BOLT, 3/8-16 UNC X 1.5"	20
8	FLAT WASHER, 3/8"	20
9	RUBBER WASHER	20
10	LOCKNUT, 3/8-16 UNC	20



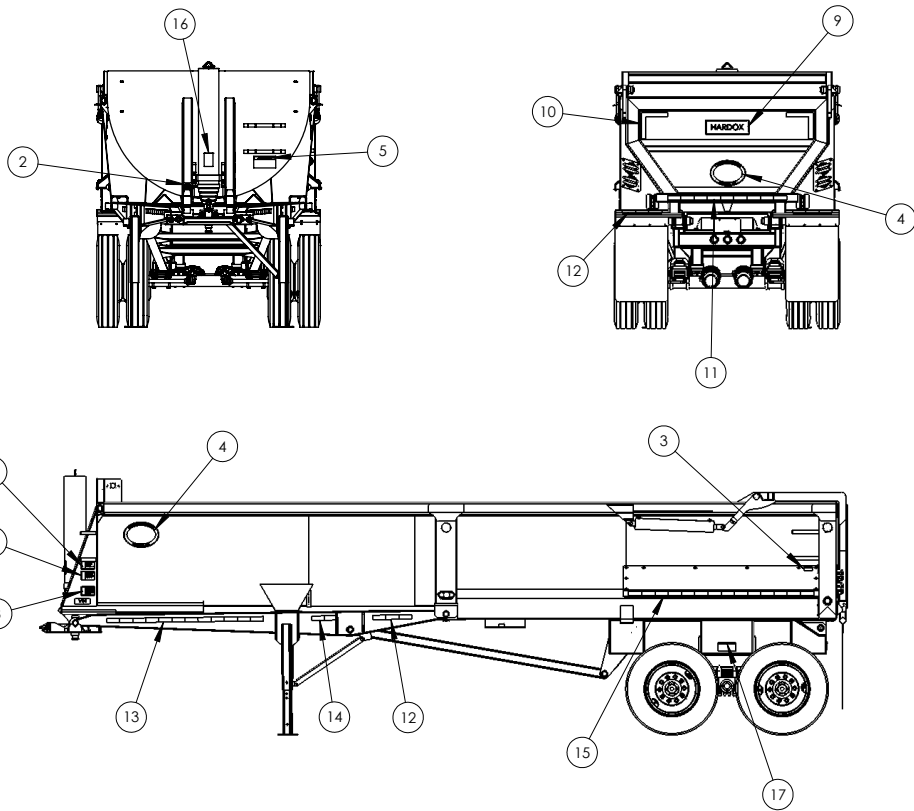
ITEM#	DESCRIPTION	QTY
1	AMBER CLEARANCE LIGHT	2
2	TWO WIRE PLUG	8
3	6 PIN RECEPTACLE	1
4	GATE/LATCH VALVE CONTROL WIRE PIGTAIL	1
5	7 PIN RECEPTACLE	1
6	7 PIN RECEPTACLE BOOT	1
7	NUT, 1/4-20 UNC	2
8	SIDE CLEARANCE LIGHT WIRE	2
9	MIDDLE SIDE CLEARANCE/SIGNAL LIGHT	2
10	3 WIRE PLUG	2
11	MIDDLE SIDE DROPPER WIRE	2
12	FEMALE CRIMP PLUG	6
13	MALE CRIMP PLUG	6
14	MIDDLE SIDE SIGNAL LIGHT WIRE	2
15	ABS SENSOR	2
16	ABS SENSOR WIRE	2
17	ECU/VALVE ASSEMBLY	1
18	ECU WIRE	1
19	ABS LIGHT WIRE	1
20	ABS LIGHT	1
21	BOLT, 1/4-20 UNC X 1.5"	2
22	7 WIRE HARNESS	1
23	REAR WIRE HARNESS, (SOLD WITH ITEM 22)	1
24	RED CLEARANCE LIGHT	5
25	REAR CLEARANCE LIGHT WIRE	1
26	LICENSE LIGHT	1
27	SIGNAL LIGHT PLUG	2
28	TAILLIGHT	4
29	LOCKWASHER, 1/4"	2
30	GATE/LATCH CONTROL VALVE ASSEMBLY, SEE PAGE 26	
31	DUPLEX WIRE	1



ITEM#	DESCRIPTION	QTY
1	BRAKE AIR CHAMBER	4
2	GLADHAND COUPLER, SERVICE	1
3	GLADHAND COUPLER, EMERGENCY	1
4	BULKHEAD CONNECTOR WITH WASHER AND NUT	2
5	COMPRESSION FITTING, 3/8" TUBING-1/4"NPT	1
6	COMPRESSION FITTING, 1/2" TUBING- 1/4"NPT	1
7	3/8" AIRLINE, EMERGENCY SUPPLY LINE	1
8	1/2" AIRLINE, SERVICE SUPPLYLINE	1
9	RIGHT ANGLE COMPRESSION FITTING, 1/2" TUBING-3/8"NPT	1
10	PIPE PLUG, 3/4"NPT	1
11	3/8" AIRLINE FITTING, 3/8"NPT	16
12	BRAKE SERVICE VALVE	1
13	ECU, VALVE ASSEMBLY	1
14	DRAIN VALVE, 1/4"NPT	1
15	NIPPLE, 3/4" NPT	1
16	BOLT, 3/8-16 UNC X 1.5"	4
17	PIPE PLUG, 3/8"NPT	1
18	AIRTANK MOUNTING PAD	2
19	NUT, 3/8-16 UNC	4
20	BRAKE AIRTANK	1
21	NIPPLE, 3/4"NPT-1/2"NPT	1
22	EMERGENCY VALVE	1
23	TEE COMPRESSION FITTING, 1/2" TUBING (2X)-3/8"NPT	1
24	COMPRESSION FITTING, 3/8" TUBING-3/8"NPT	1
25	STREET EL, 3/8"NPT	4
26	RIGHT ANGLE COMPRESSION FITTING, 3/8" TUBING-1/4"NPT	2
27	LATCH CYLINDER	1
28	GATE AND LATCH CONTROL VALVE SUPPLY AIRLINE	1
29	LATCH CYLINDER "CLOSE" AIRLINE	1
30	LATCH CYLINDER "OPEN" AIRLINE	1
31	GATE LIFT CYLINDER	2
32	AIRLINE TO WIRE CLIP	6
33	AIRLINE CLIP	14
34	EMERGENCY BRAKE AIRLINE, REAR AXLE	2
35	SERVICE BRAKE AIRLINE, REAR AXLE	2
36	SERVICE BRAKE AIRLINE, FRONT AXLE	2
37	EMERGENCY BRAKE AIRLINE, FRONT AXLE	2
38	1/2" AIRLINE, SERVICE VALVE TO EMERGENCY VALVE	1
39	RIGHT ANGLE COMPRESSION FITTING, 3/8" TUBING-3/8"NPT	1
40	GATE AND LATCH CONTROL VALVE ASSEMBLY, SEE PAGE 26	1
41	GATE CYLINDER AIRLINE, LEFT	1
42	GATE CYLINDER AIRLINE, RIGHT	1
43	BREATHER VENT, 1/2"NPT	2
44	RIGHT ANGLE COMPRESSION FITTING, 3/8" TUBING - 3/8" NPT	2



ITEM#	DESCRIPTION	QTY
1	NUT, 1/4-20 UNC	4
2	LOCKWASHER, 1/4"	4
3	FLAT WASHER, 1/4"	4
4	RUBBER WASHER	4
5	BOLT, 1/4-20 UNC X 2.5"	4
6	GATE VALVE CONTROL WIRE	1
7	RUN TEE COMPRESSION FITTING, 3/8" TUBING (2X)-1/4"NPT	1
8	TEE, 1/4"NPT	2
9	RIGHT ANGLE COMPRESSION FITTING, 3/8" TUBING-1/4"NPT	2
10	HEX NIPPLE, 1/4"NPT	3
11	PLUG, 1/4"NPT	1
12	GATE VALVE	1
13	BREATHER VENT, 1/4"NPT	4
14	STREET EL, 1/4"NPT	2
15	LATCH VALVE	1
16	COMPRESSION FITTING, 3/8" TUBING-1/4"NPT	2
17	COMPRESSION FITTING, 3/8" TUBING-1/8"NPT	1
18	GATE TO LATCH VALVE AIRLINE	1



ITEM#	DESCRIPTION	QTY
1	ROCKMASTER DECAL KIT, INCLUDES ITEM NUMBERS: 2-8	1
2	AIR BRAKE ADDITIVES CAUTION DECAL, FRONT	1
3	ABS NOTICE DECAL LEFT SIDE ONLY	1
4	CONSTRUCTION TRAILER "ROCKMASTER" DECAL, BOTH SIDES AND REAR DOOR	3
5	ATTENTION DECAL, FRONT	1
6	DANGER: CAGE BRAKE CHAMBERS	1
7	WARNING: RETORQUE WHEEL NUTS	1
8	WARNING: USE MATCHED HARDWARE	1
9	HARDOX DECAL, REAR DOOR	1
10	REFLECTIVE CONSPICUITY TAPE, WHITE ONLY, 8" RIGHT ANGLE, REAR DOOR	2
11	REFLECTIVE CONSPICUITY TAPE, RED AND WHITE, 54", REAR DOOR	2
12	REFLECTIVE CONSPICUITY TAPE, RED AND WHITE, 18", MUDFLAP BRACKETS AND DRAFT ARM BOTH SIDES	4
13	REFLECTIVE CONSPICUITY TAPE, RED AND WHITE, 72", DRAFT ARM BOTH SIDES	2
14	REFLECTIVE CONSPICUITY TAPE, RED AND WHITE, 12", DRAFT ARM BOTH SIDES	2
15	REFLECTIVE CONSPICUITY TAPE, 84", REAR FENDERS	2
16	LIFT CYLINDER DECAL, FRONT	1
17	HUTCH SUSPENSION DECAL	1