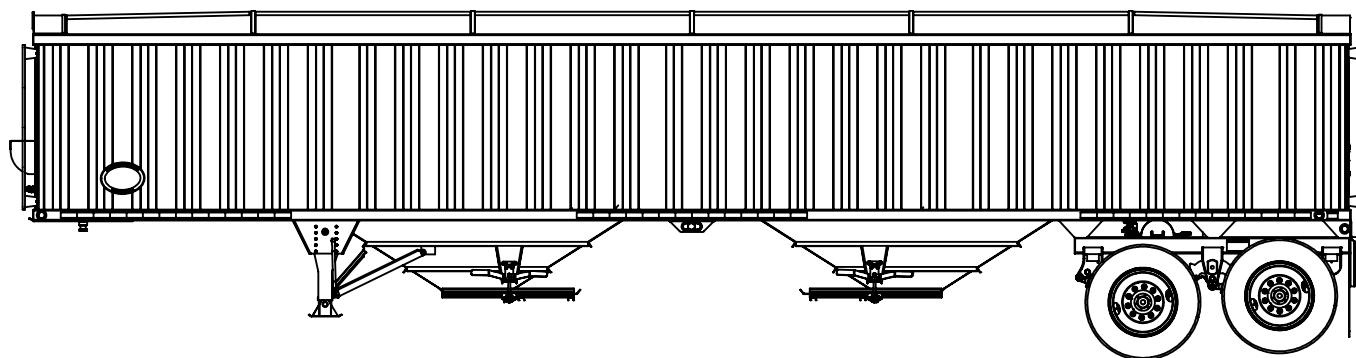


PARTS BOOK



STANDARD GRAIN HOPPER TRAILER
40' LENGTH 68" SIDE HEIGHT

CONSTRUCTION TRAILER SPECIALISTS, INC.

2535 ROSE PARKWAY
SIKESTON, MO 63801
TOLL FREE: 888-669-0003
PH: 573-481-0941
FX: 573-481-0953
E-MAIL: trailers@sbmu.net
www.constructiontrailerspecialsts.com

Thanks for choosing Construction Trailer Specialists, Inc., we manufacture a line of trailers in a size to fit your needs.

-End dump trailers in Half Round or Elliptical configurations available Frameless, Quarter Frame or Full Frame. Elliptical scrap/demo trailers available in lengths from 22 to 40 ft, with 46-100 inch sides.

-Bottom dump trailers in 32-42 ft lengths, with Low Profile, Lightweight, and Insulated Hot Mix versions available.

-Grain trailers in 34-42 ft lengths.

-Walking floor trailers

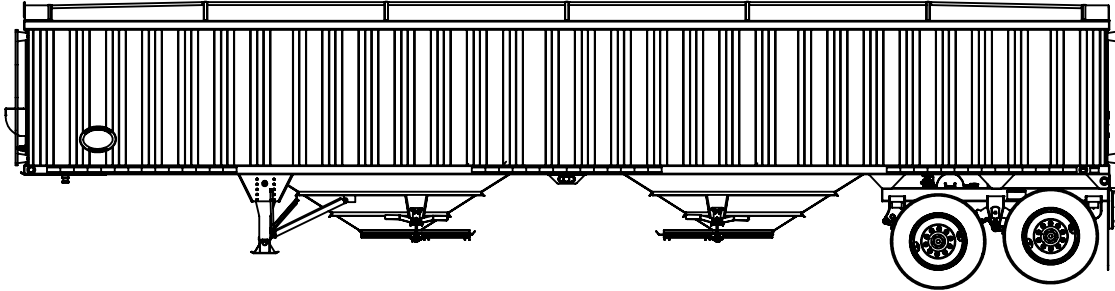
-In addition, we offer a variety of suspension and tarp options to suit your needs.

When ordering parts be sure to have the trailer's vehicle identification number (VIN) at hand so we can be sure to get you the correct parts for your trailer.

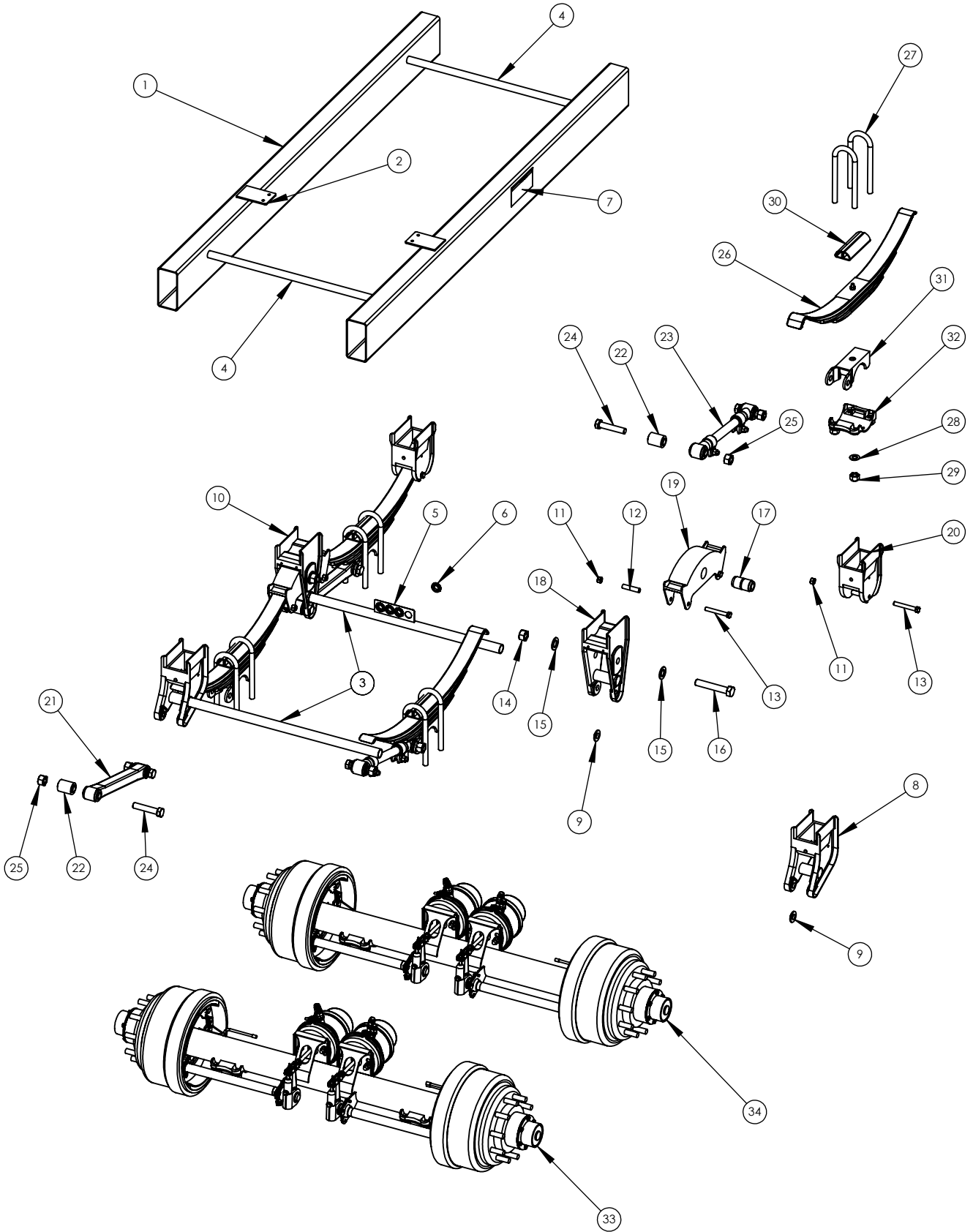
Remember this parts book is for a "standard" trailer, if your trailer is not standard dimensions some parts may not interchange with those listed here, contact the factory if you are unsure.

We will be working on, adding to, and improving this and other parts books in the near future. We welcome any comments or suggestions on how we may make them work better for you. Thanks again!!!

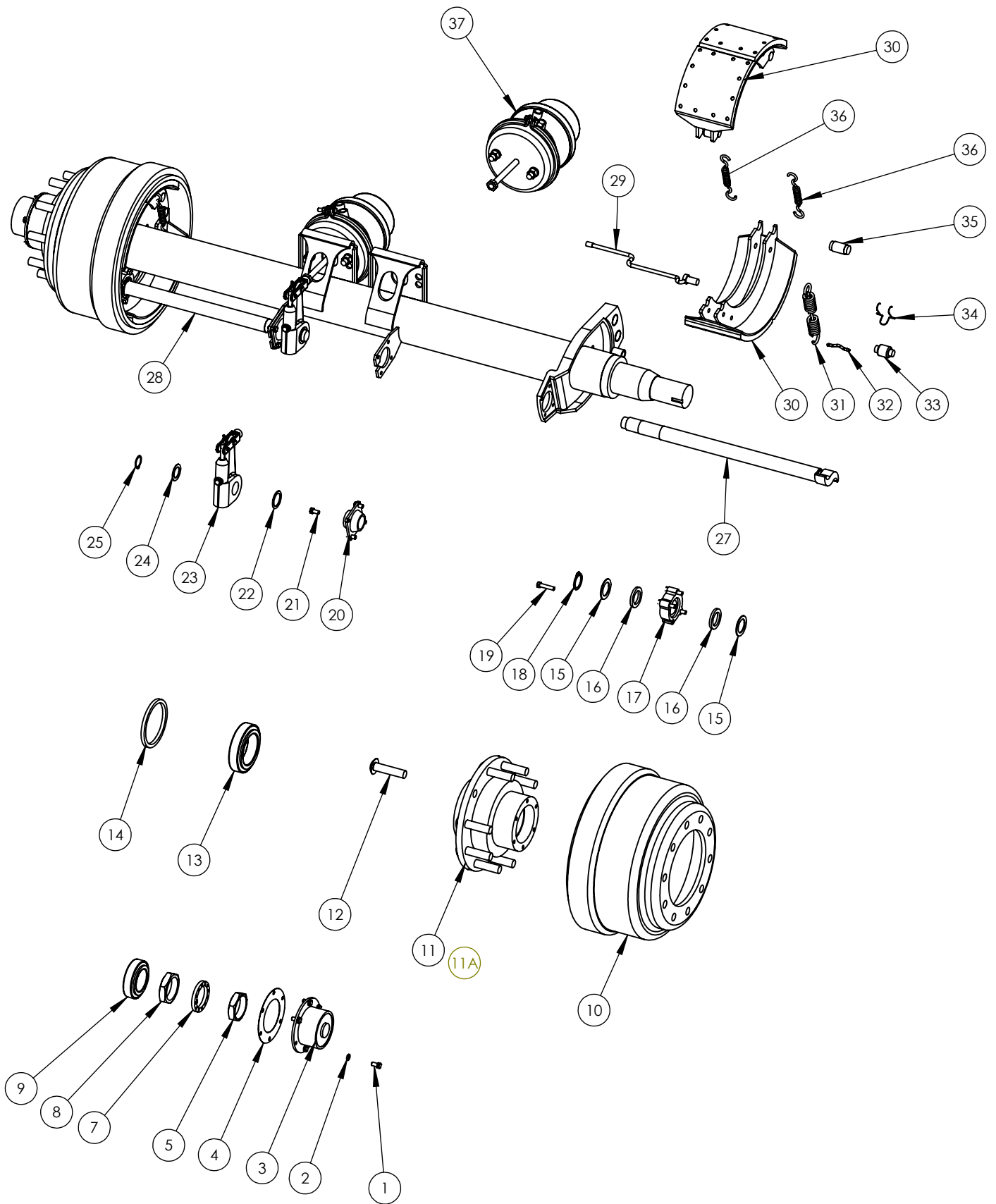
TABLE OF CONTENTS



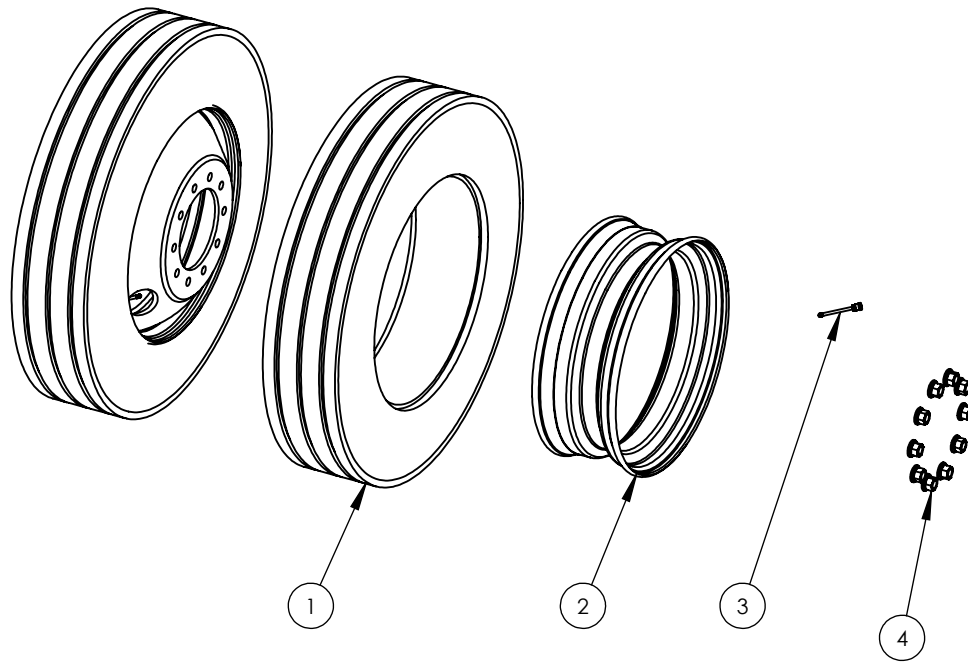
DESCRIPTION	PAGE
SUSPENSION	2-3
AXLE	4-5
WHEELS	6
FIFTH WHEEL	7
SIDE	8
CROSS MEMBERS AND SLOPE SHEETS	9
REAR END	10
FRONT END	11
HOPPERS	12-13
WIRING	14-15
PLUMBING	16-17
TARP HEADERS AND BOWS	18
LANDING GEAR	19
DECALS	20
MUDFLAPS	21



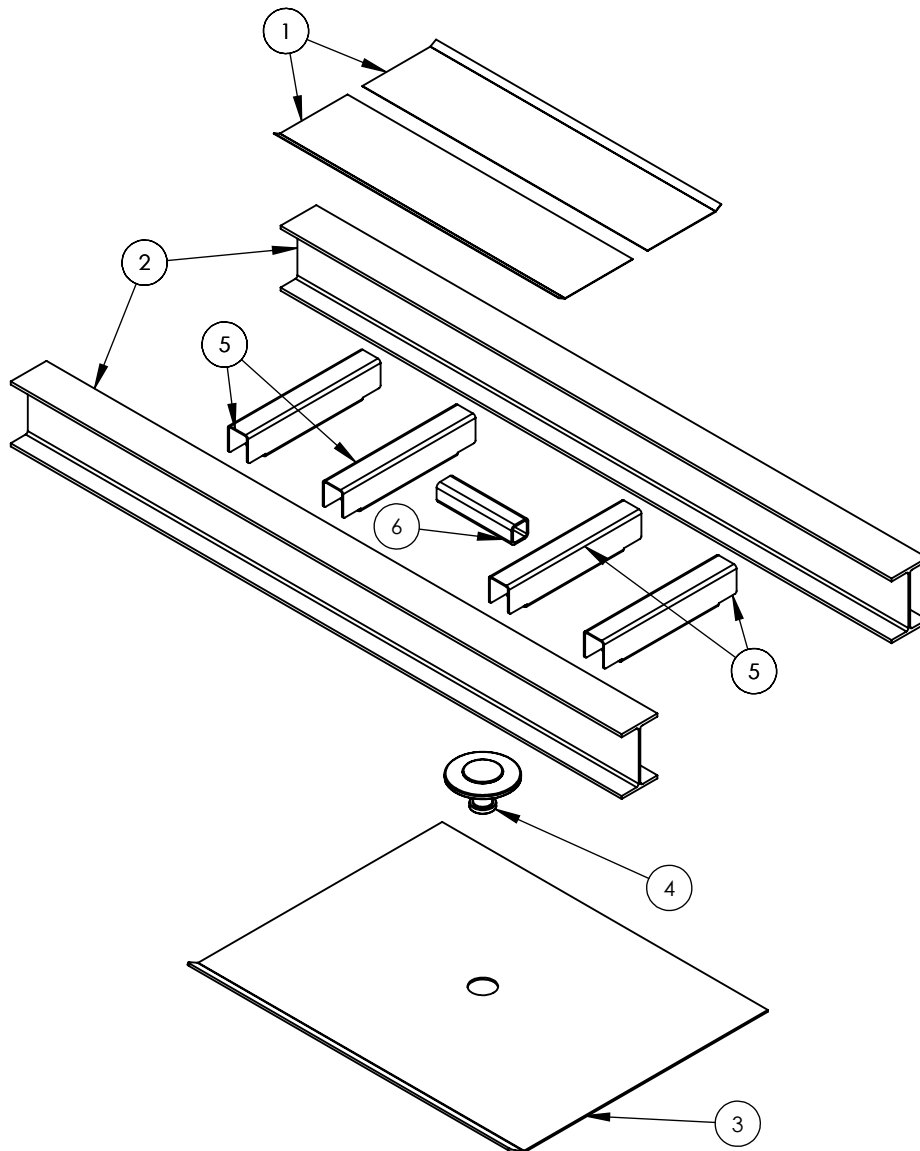
ITEM#	PART#	DESCRIPTION	QTY
1	MFG0446	SUSPENSION FRAME TUBE	2
2	MFG0026	AIR TANK MOUNTING PLATE	2
3	MFG0027	HANGER CROSS TUBE	2
4	MFG0028	FRAME RAIL CROSS TUBE	2
5	MFG0029	AIR LINE LOOM	1
6	MIC9600K51	1" GROMMET	4
7		HUTCH DECAL	1
8	SUS7701-01	FRONT SPRING HANGER	2
9	SUS7717-01	REPLACEMENT WASHER FOR FRONT AND ROCKER HANGER	4
10	SUS06319-01	ROCKER HANGER ASSEMBLY	2
11	SUS37-03	NUT, 5/8-18 UNF GRB	6
12	SUS756-00	SPACER	6
13	SUS759-00	BOLT, 5/8-18 UNF X 4.5" GR2	6
14	SUS11154-00	LOCKNUT, 1 1/8-7 UNC GR5 (REPLACEMENT)	2
15	SUS837-00	WASHER, 1 1/4" ID X 2 1/4" OD X 1/8" THK (REPLACEMENT)	4
16	SUS16150-01	BOLT, 1 1/8-7 UNC X 6.62" GRS (REPLACEMENT)	2
17	SUS18723-01	ROCKER BUSHING	2
18	SUS16169-01	ROCKER HANGER ASSEMBLY	2
19	SUS16158-01	ROCKER	2
20	SUS7703-01	REAR HANGER	2
21	SUS715-00	RADIUS ROD, NON ADJUSTABLE	2
22	SUS722-00	RADIUS ROD BUSHING, REPLACEMENT	8
23	SUS16398-04	RADIUS ROD, ADJUSTABLE	2
24	SUS719-02	BOLT, 1" - 14 UNS X 5"	8
25	SUS10562-00	FLANGE LOCKNUT, 1" - 14 UNS GRF	8
26	SUS365-00	SPRING ASSEMBLY	4
27	SUS7040-08	U-BOLT, 7/8"	8
28	SUS35-00	WASHER, 15/16" ID X 1 3/4" OD X 1/8" THK	16
29	SUS34-04	NUT, 7/8-14 UNF	16
30	SUS16868-01	TOP PLATE	4
31	SUS19630-01	SPRING SEAT/RADIUS ROD MOUNT	4
32	SUS700-00	BOTTOM PLATE	4
33	AXLTQ4671QH5950	FRONT AXLE	1
34	AXLTQ4670QH948	REAR AXLE	1



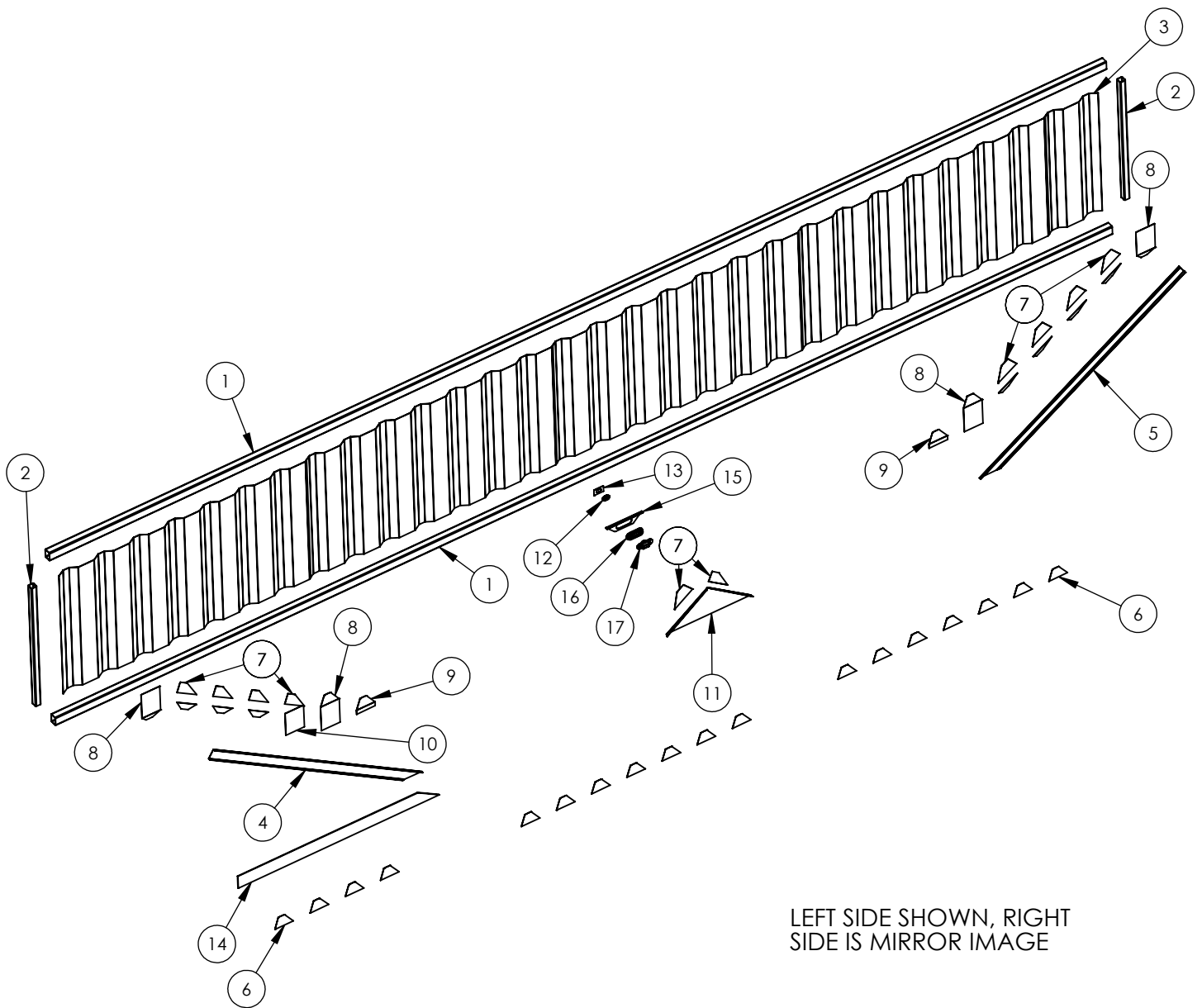
ITEM #	PART #	DESCRIPTION	QTY PER AXLE
1	N&B4769	BOLT, 5/16-18 UNC X 3/4"	12
2	N&B5400	LOCK WASHER, 5/16"	12
3	AXL3404009	HUBCAP, INCLUDES ITEM 4	2
4		HUBCAP GASKET	2
5	AXLCS3301	WHEEL BEARING JAM NUT	2
7	AXLCS3303	WHEEL BEARING LOCK WASHER	2
8	AXLCS3300	WHEEL BEARING ADJUSTING NUT	2
9	AXL212049	OUTER WHEEL BEARING	2
10	AXL123365	BRAKE DRUM	2
11	AXL15984ABS	HUB WITH ABS TOOTH WHEEL (REAR AXLE ONLY)	2
11A	AXL15984	HUB WITHOUT ABS TOOTH WHEEL (FRONT AXLE ONLY)	2
12	AXLNB3266	WHEEL STUD	20
13	AXL218248	INNER WHEEL BEARING	2
14	AXL3070743	WHEEL BEARING SEAL	2
	AXLCSK1040	CAM BUSHING KIT, ITEMS 15-22, 24, 25	2
15		WASHER	4
16		SEAL	4
17		CAMSHAFT BUSHING, OUTER	2
18		SNAP RING	2
19		BOLT	8
20		CAMSHAFT BUSHING, INNER	2
21		BOLT	8
22		WASHER	2
23	AXLR801073	SLACK ADJUSTER ASSEMBLY	2
24		WASHER	2
25		SNAP RING	2
27	AXLCAM156L	CAMSHAFT, LEFT	1
28	AXLCAM156R	CAMSHAFT, RIGHT	1
29	BRK4410328080	ABS SENSOR (REAR AXLE ONLY)	2
	AXL4515Q200KIT	BRAKE KIT, ITEMS 30-36	2
30		BRAKE SHOE	4
31		BRAKE SHOE RETURN SPRING	2
32		PIN, BRAKE SHOE RETURN SPRING	4
33		BRAKE SHOE ROLLER	4
34		RETAINER, BRAKE SHOE ROLLER	4
35		ANCHOR PIN	4
36		BRAKE SHOE RETAINING SPRING	4
37	BRK3030GTS	AIR CHAMBER	2



ITEM #	PART #	DESCRIPTION	QTY PER TRAILER
1		TIRE	8
2	WHL 28409PW	RIM	8
3	WHL TV 573	VALVE STEM	8
4	WHL3338	LUGNUT	40

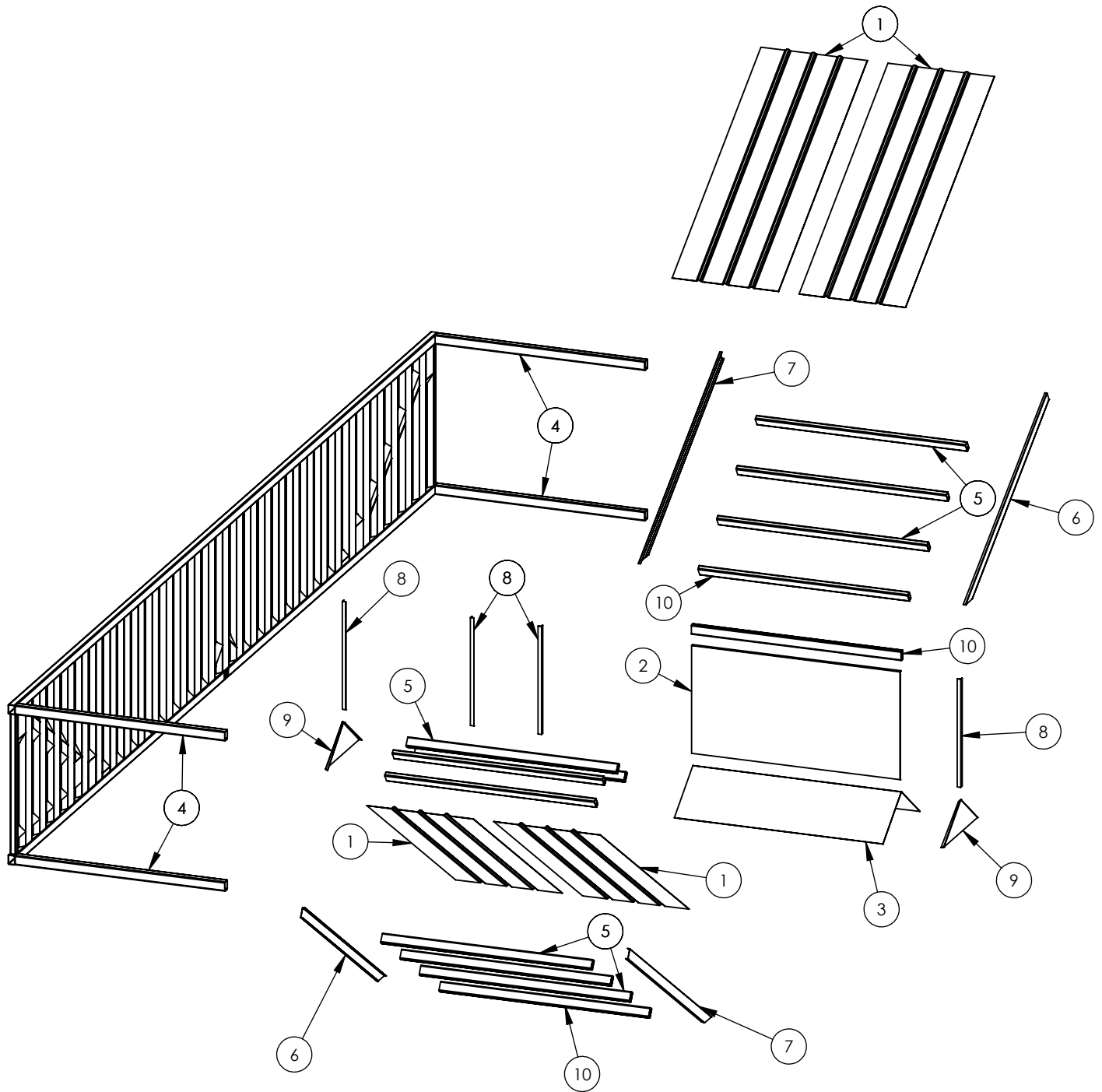


ITEM#	PART#	DESCRIPTION	QTY
1	MFG0364	FIFTH WHEEL COVER PLATE	2
2	MFG0361	FIFTH WHEEL I-BEAM	2
3	MFG0363	FIFTH WHEEL PLATE	1
4	MIC2084194	KINGPIN	1
5	MFG0365	FIFTH WHEEL TUBE	5
6	MFG0366	FIFTH WHEEL KINGPIN TUBE	1

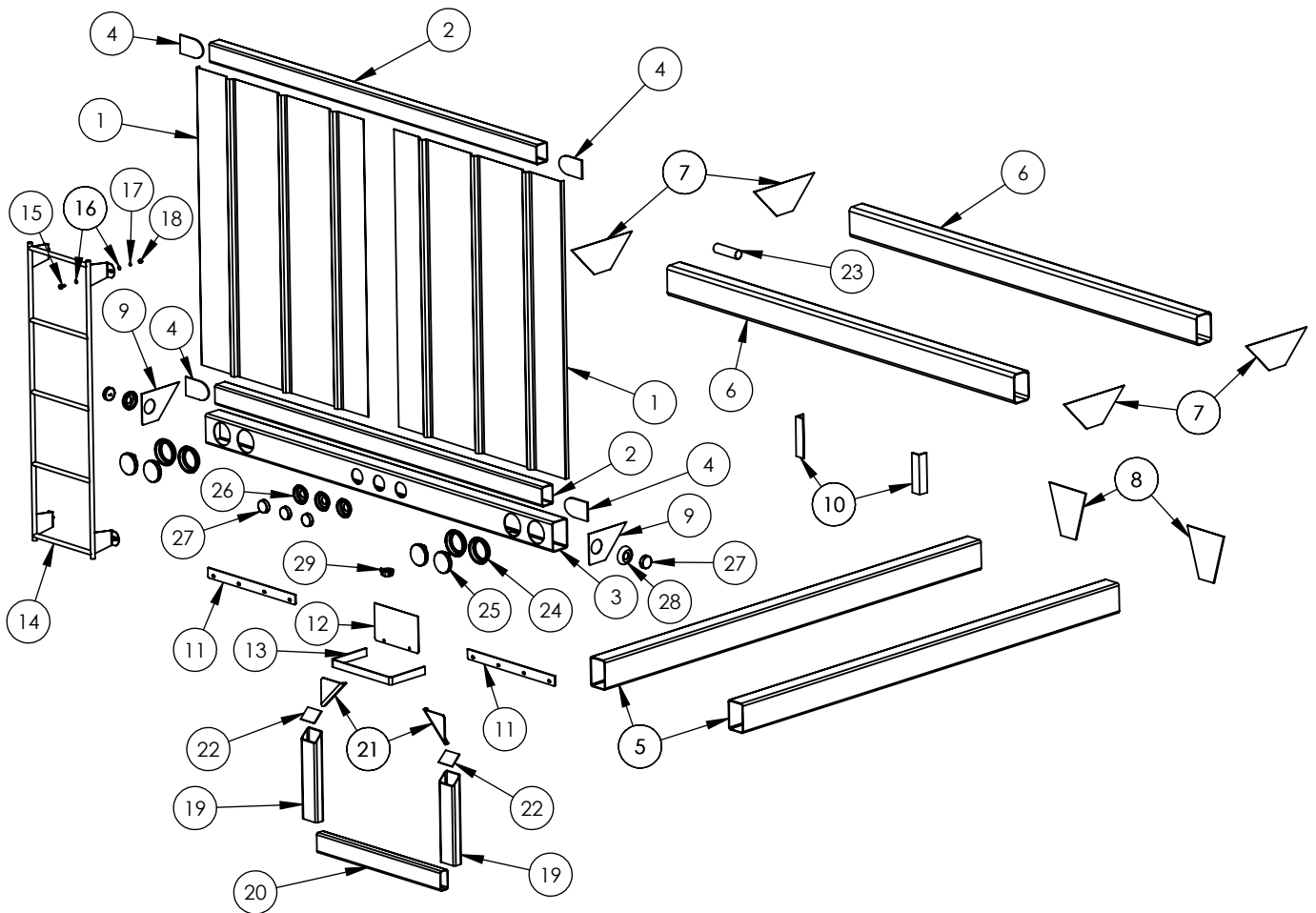


LEFT SIDE SHOWN, RIGHT
SIDE IS MIRROR IMAGE

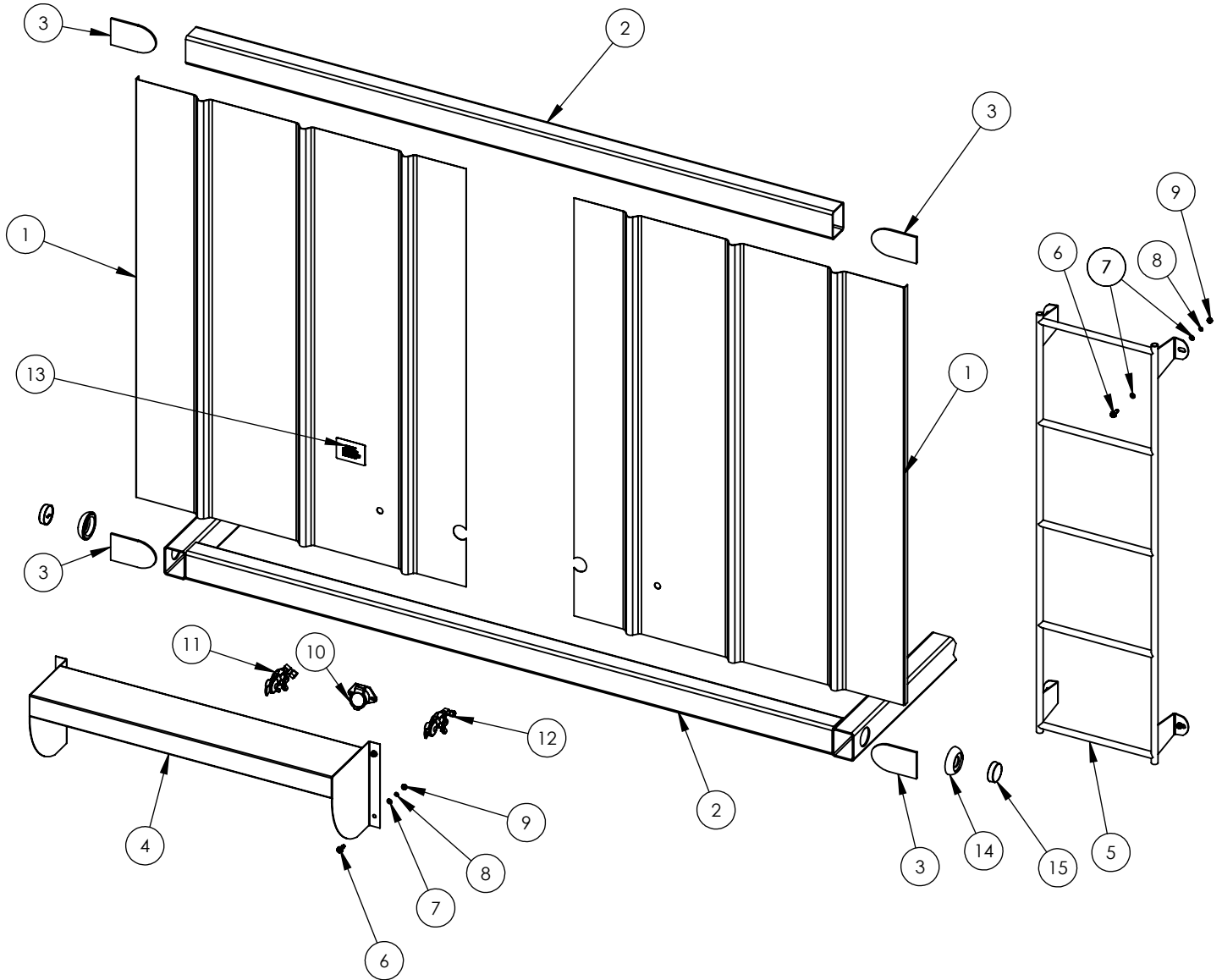
ITEM#	PART#	DESCRIPTION	QTY PER SIDE
1	MFG0351	FRAME RAIL	2
2	MFG0352	ENDPOSTS	2
3		CORRUGATION SHEET	1
3A	MFG0353	CORRUGATION SHEET 60" X 120" (5' X 10') PATCH PANEL	
4	MFG0356	SLOPE SHEET CHANNEL, RIGHT	1
5	MFG0355	SLOPE SHEET CHANNEL, LEFT	1
6	MFG0043	SMALL CORRUGATION GUSSET	18
7	MFG0354	CHANNEL GUSSET	17
8	MFG0044	LARGE CORRUGATION GUSSET	2
9	MFG0396	SHORT CORRUGATION GUSSET	2
10	MFG0447	CORRUGATION CAP	1
11	MFG0370	A-FRAME	1
12	MICG3287-015000	3" OVAL GROMMET	1
13	MFG0055	AIR LINE AND WIRE LOOM	1
14	MFG0367	FIFTH WHEEL SIDE PLATE	1
15	MFG0395	MIDDLE SIDE LIGHT BRACKET	1
16	LTS92420	MIDDLE SIDE LIGHT OVAL GROMMET	1
17	LTS52513	MIDDLE SIDE LIGHT	1



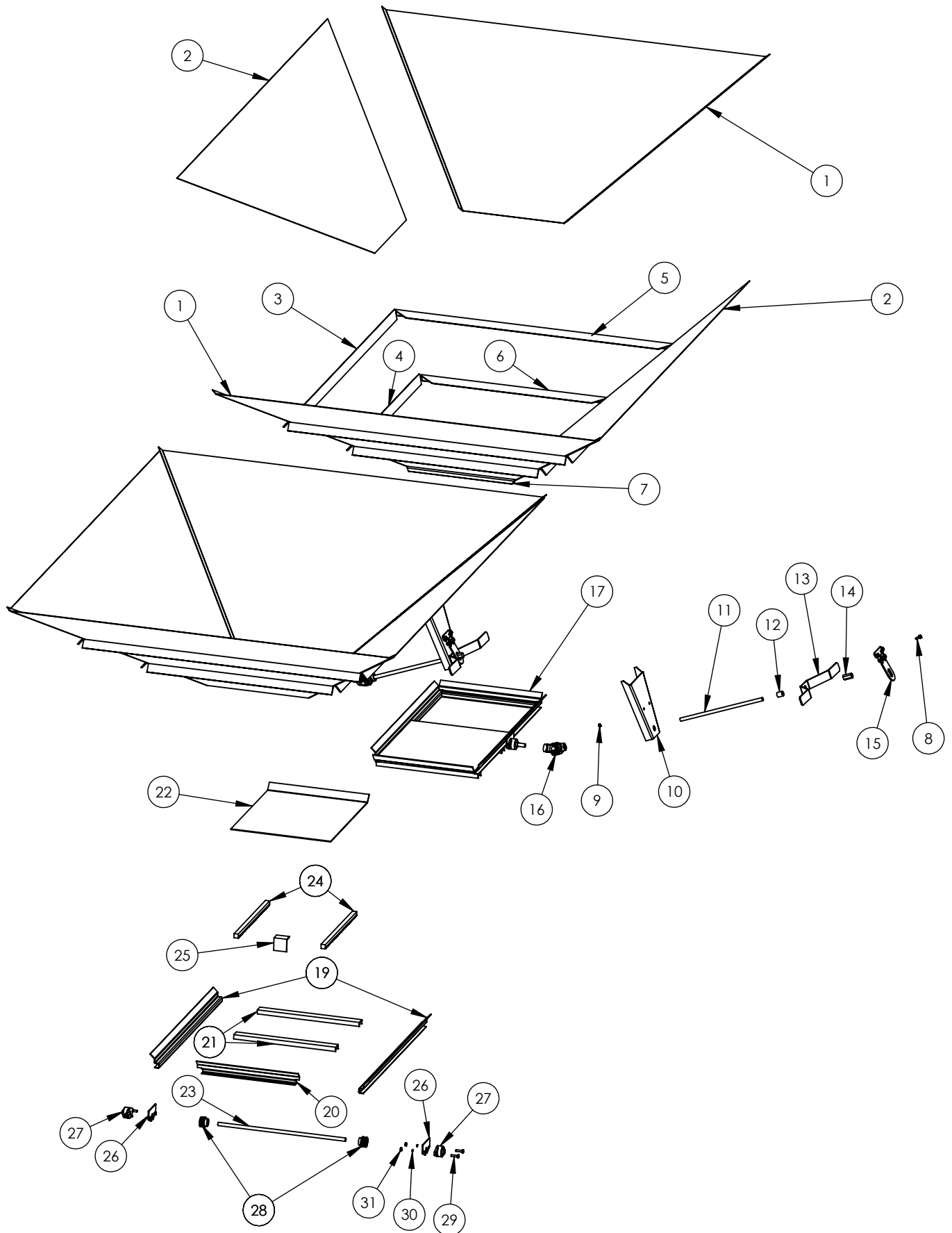
ITEM#	PART#	DESCRIPTION	QTY
1	MFG0374	10' SLOPE SHEET	4
2	MFG0372	DIVIDER SHEET	1
3	MFG0371	A-FRAME SHEET	1
4	MFG0368	FRAME CROSS TUBE	4
5	MFG0358	SLOPE SHEET CROSS TUBE	10
6	MFG0355	SLOPE SHEET CHANNEL, LEFT	2
7	MFG0356	SLOPE SHEET CHANNEL, RIGHT	2
8	MFG0373	DIVIDER SHEET ANGLE IRON	4
9	MFG0370	A-FRAME	2
10	MFG0357	DIVIDER SHEET CROSS TUBE	3



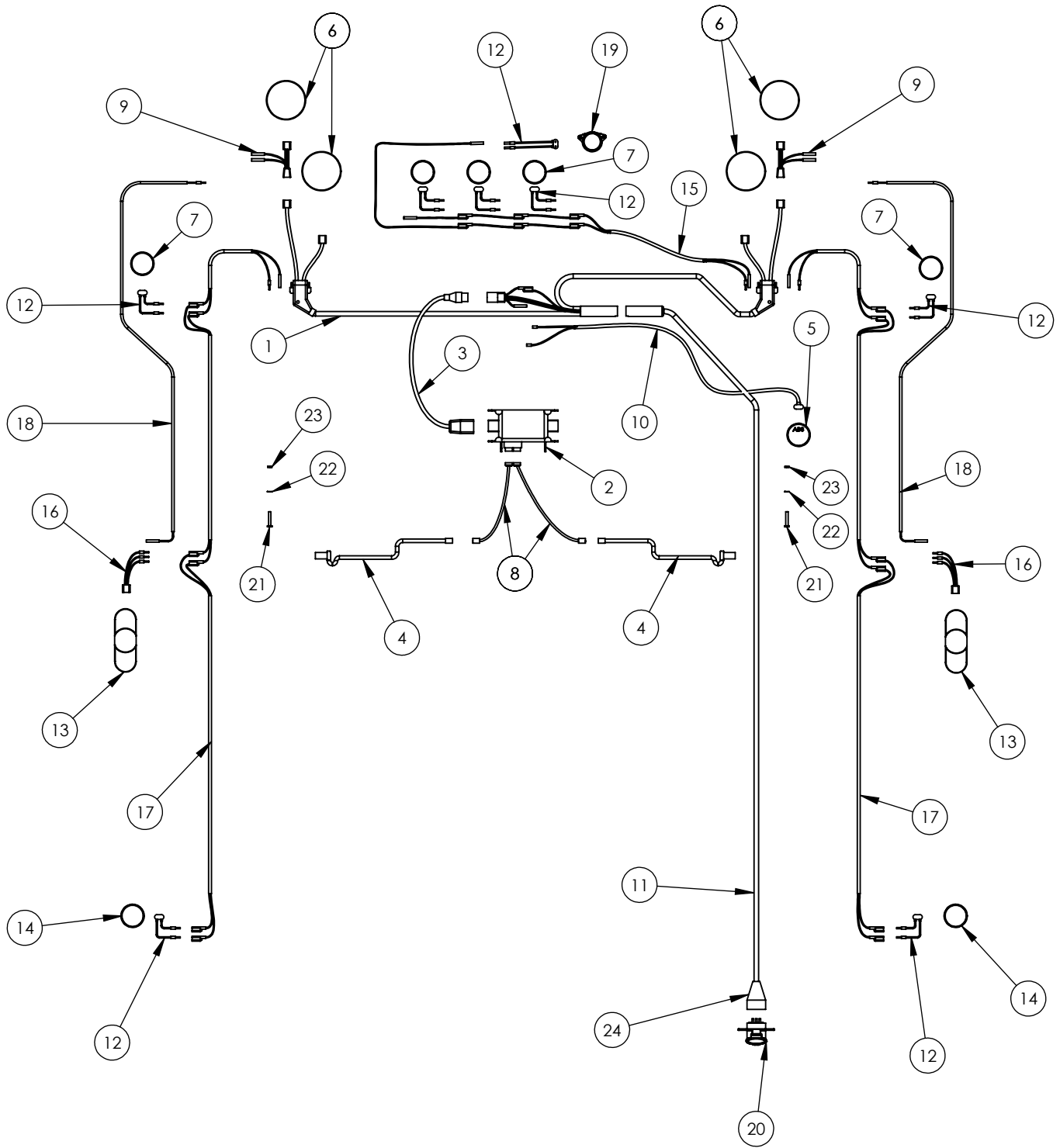
ITEM#	PART#	DESCRIPTION	QTY
1	MFG0375	FRONT AND REAR SHEET	2
2	MFG0368	FRAME CROSS TUBE	2
3	MFG0063	LIGHT TUBE	1
4	MFG0379	FRAME TUBE END CAP	4
5	MFG0446	SUSPENSION FRAME TUBE	2
6	MFG0062	SUSPENSION CROSS TUBE	2
7	MFG0398	SUSPENSION CROSS OVER TUBE CAP	4
8	MFG0064	SUSPENSION FRAME TUBE FRONT PLATE	2
9	MFG0399	LIGHT TUBE CAP AND LIGHT BRACKET	2
10	MFG0382	SUSPENSION CROSS TUBE BRACE	2
11	MFG0066	MUDFLAP BRACKET	2
12	MFG0065	LICENSE PLATE BRACKET	1
13	MFG0397	REAR STEP	1
14	ASY5045	LADDER	1
15	N&B94882	BOLT, 3/8-16 UNC X 1", WASHER HEAD, SELF TAPPING	4
16	N&B3450	FLAT WASHER, 3/8"	8
17	N&B5450	LOCK WASHER, 3/8"	4
18	N&B1450	NUT, 3/8-16 UNC	4
19	MFG0391	BUMPER TUBE, VERTICAL	2
20	MFG0392	BUMPER TUBE, HORIZONTAL	1
21	MFG0393	BUMPER CORNER GUSSET	2
22	MFG0394	BUMPER TUBE CAP	2
23	MFG0380	WIRE TUBE	1
24	LTS91740	TAIL LIGHT GROMMET	4
25	LTS52772	TAIL LIGHT	4
26	LTS91410	FLUSH GROMMET, CLEARANCE LIGHT	3
27	LTS45812-3	RED CLEARANCE LIGHT	5
28	LTS91880	45 DEGREE BEVEL GROMMET, CLEARANCE LIGHT	2
29	LTS60191-3	LISCENSE LIGHT	1



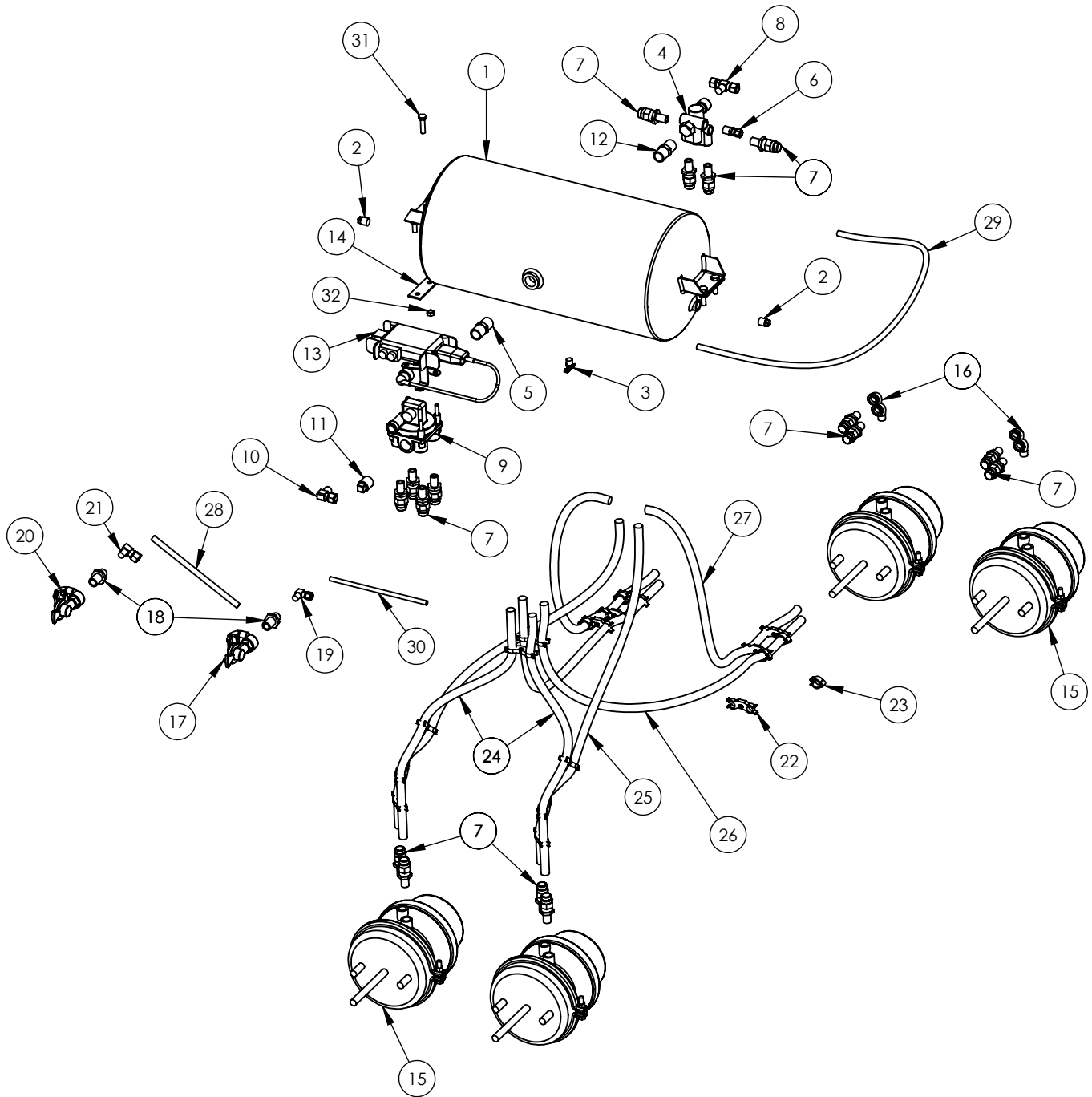
ITEM#	PART#	DESCRIPTION	QTY
1	MFG0375	FRONT AND REAR SHEET	2
2	MFG0368	FRAME CROSS TUBE	2
3	MFG0379	FRAME TUBE END CAP	4
4	ASY5046	CATWALK STEP	1
5	ASY5045	LADDER	1
6	N&B94882	BOLT, 3/8-16 UNC X 1", WASHER HEAD, SELF TAPPING	8
7	N&B3450	FLAT WASHER, 3/8"	12
8	N&B5450	LOCK WASHER, 3/8"	8
9	N&B1450	NUT, 3/8-16 UNC	8
10	LTS87250	7 PIN RECEPTACLE	1
11		SERVICE GLADHAND COUPLER, SEE PAGE 16-17	1
12		EMERGENCY GLADHAND COUPLER, SEE PAGE 16-17	1
13	BRK8144	AIRBRAKE DECAL	1
14	LTS91880	45 DEGREE BEVEL GROMMET, CLEARANCE LIGHT	2
15	LTS45813-3	AMBER CLEARANCE LIGHT	2



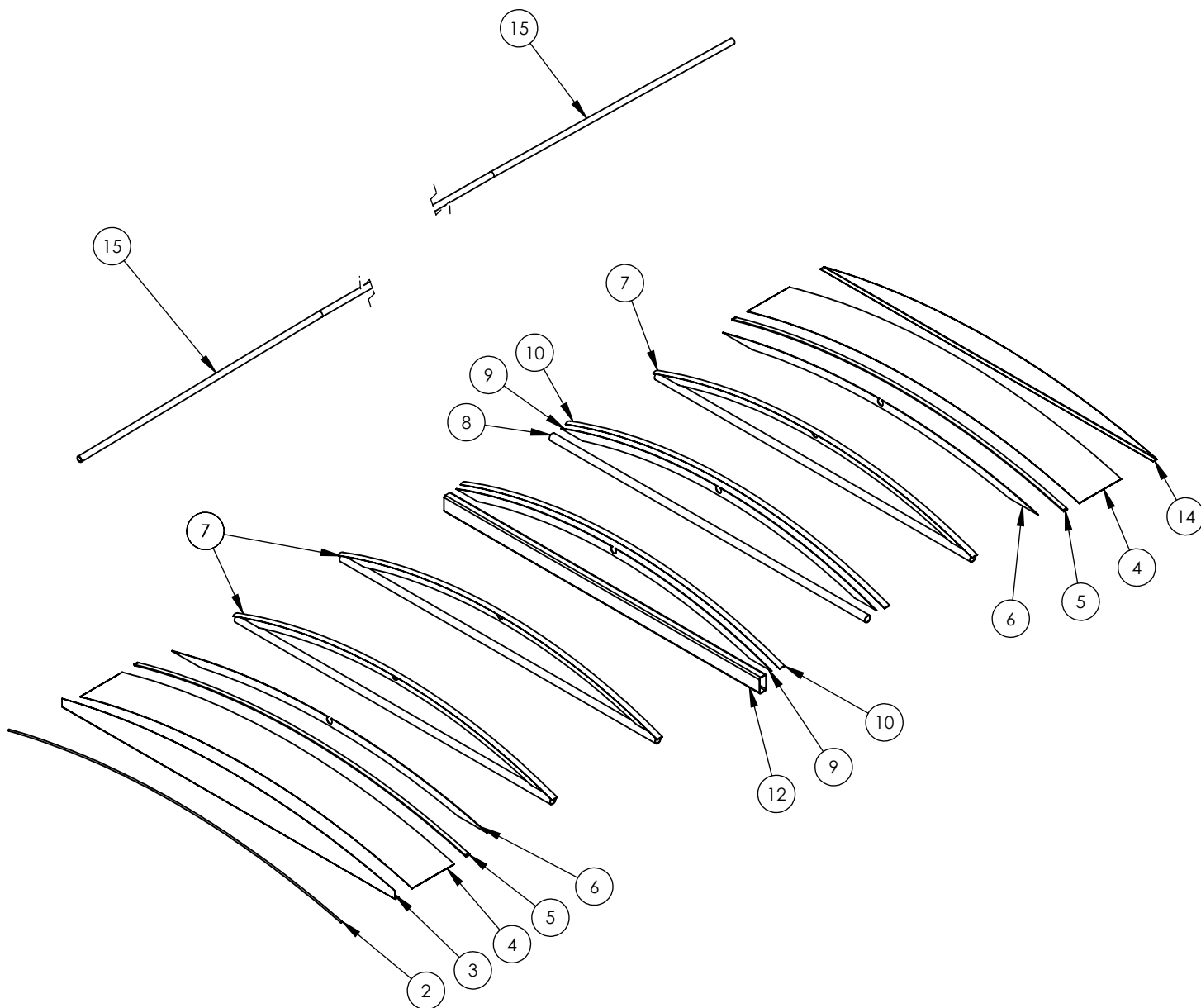
ITEM#	PART#	DESCRIPTION	QTY PER HOPPER
1	MFG0427	HOPPER FORE/AFT SHEET	2
2	MFG0428	HOPPER SIDE SHEET	2
3	MFG0426	HOPPER SIDE RIB, UPPER	2
4	MFG0424	HOPPER SIDE RIB, LOWER	2
5	MFG0425	HOPPER FORE/AFT RIB, UPPER	2
6	MFG0423	HOPPER FORE/AFT RIB, LOWER	2
7	MFG0435	HOPPER DOOR SCRAPER	1
8	N&B94882	BOLT, 3/8-16 UNC X 1", WASHER HEAD, SELF TAPPING	2
9	N&B1450	NUT, 3/8-16 UNC	2
10	MFG0387	HOPPER DOOR CRANK HANDLE A-FRAME MOUNT	1
11	MFG0377	HOPPER DOOR HANDLE SHAFT	1
12	MFG0378	HOPPER DOOR HANDLE SHAFT BEARING	1
13	MFG0376	HOPPER DOOR CRANK HANDLE	1
14	MFG0385	HOPPER DOOR CRANK HANDLE HEX SHAFT	1
15	ASY5050	HOPPER DOOR LOCK	1
16	MICH7NBSTD 3/4	UNIVERSAL JOINT	1
17	ASY5052	HOPPER DOOR AND FRAME ASSEMBLY, REAR, ITEMS 19-31	
18	ASY5051	HOPPER DOOR AND FRAME ASSEMBLY, FRONT, ITEMS 19-31	
19	MFG0429	HOPPER DOOR TRACK	2
20	MFG0430	HOPPER DOOR END TRACK	1
21	MFG0444	HOPPER DOOR CROSS CHANNEL	2
22	MFG0386	HOPPER DOOR PLATE	1
23	MFG0432	HOPPER DOOR SHAFT	1
24	MFG0431	HOPPER DOOR RACK GEAR	2
25	MFG0388	HOPPER DOOR STOP	1
26	MFG0433	HOPPER DOOR BEARING MOUNT	2
27	MIC154-012	FLANGE BEARING	2
28	MICS1020	SPUR GEAR	2
29	N&B4806	BOLT, 7/16-14 UNC X 1.5"	4
30	N&B5500	LOCK WASHER, 7/16"	4
31	N&B1500	NUT, 7/16-14 UNC	4



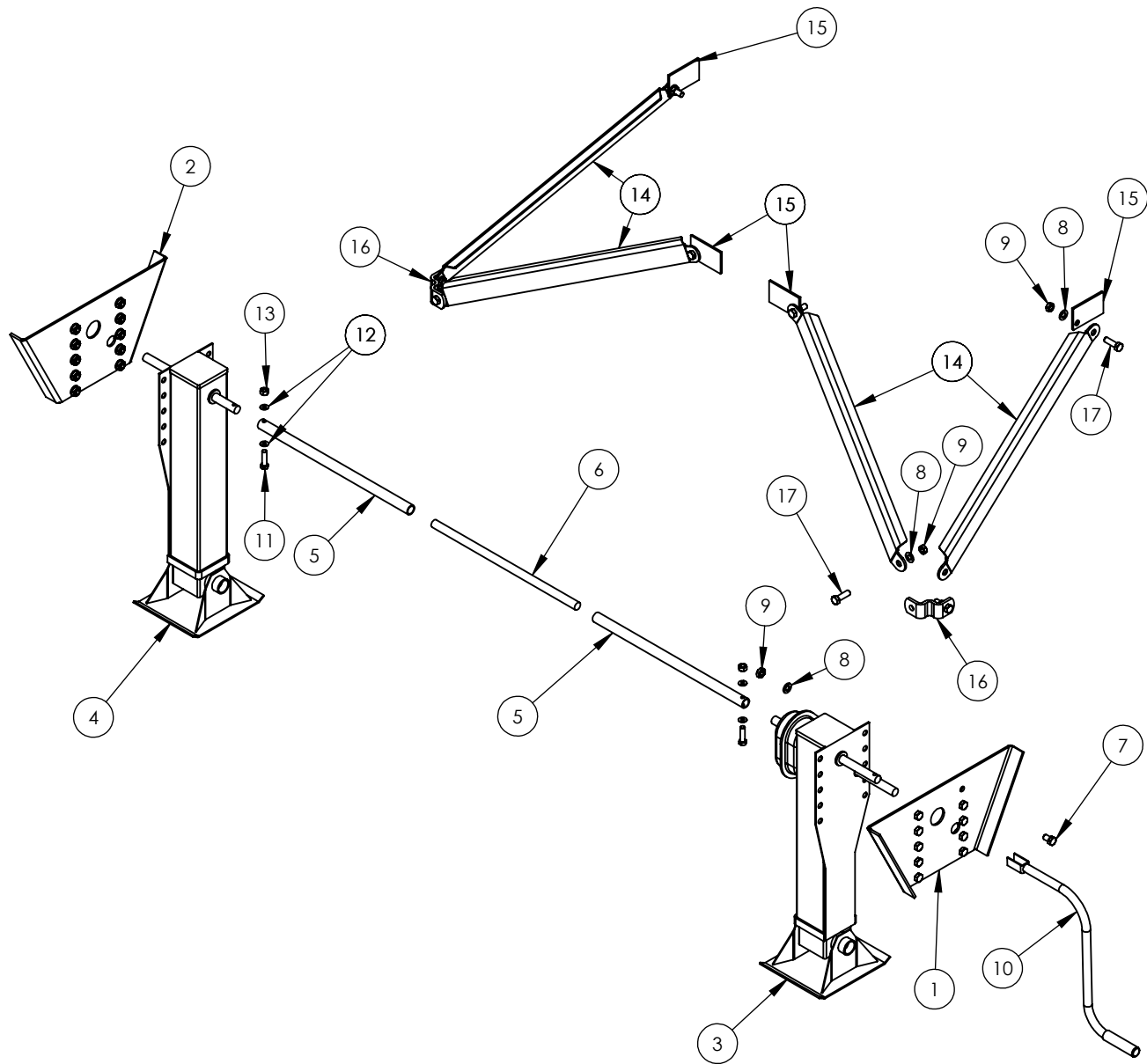
ITEM#	PART#	DESCRIPTION	QTY
1	LTS01-6601-80	REAR WIRE HARNESS, (SOLD WITH ITEM 11)	1
2	BRK4005001010	ECU/VALVE ASSEMBLY	1
3	BRK4493260400	ECU WIRE	1
4	BRK4410328080	ABS SENSOR	2
5	LTS78343	ABS LIGHT	1
6	LTS52772	TAIL LIGHT	4
7	LTS45812-3	RED CLEARANCE LIGHT	5
8	BRK4497130300	ABS SENSOR WIRE	2
9	LTS66820	SIGNAL LIGHT PLUG	2
10	LTS-05-2017-74	ABS LIGHT WIRE	1
11	LTS01-6601-80	7 WIRE HARNESS	1
12	LTS66851	2 WIRE PLUG	8
13	LTS52513	MIDDLE SIDE CLEARANCE/SIGNAL LIGHT	2
14	LTS45813-3	AMBER CLEARANCE LIGHT	2
15	LTS01-6615-V5	REAR CLEARANCE LIGHT WIRE	1
16	LTS66825	3 WIRE PLUG	2
17	LTS01-6615-V6	SIDE CLEARANCE LIGHT WIRE	2
18		MIDDLE SIDE SIGNAL LIGHT WIRE	2
19	LTS60191-3	LICENSE LIGHT	1
20	LTS87250	7 PIN RECEPTACLE	1
21	N&B4755	BOLT, 1/4-20 UNC X 1.5"	2
22	N&B5350	LOCKWASHER, 1/4"	2
23	N&B1350	NUT, 1/4-20 UNC	2
24	LTS15-720-01	7 PIN RECEPTACLE BOOT	1



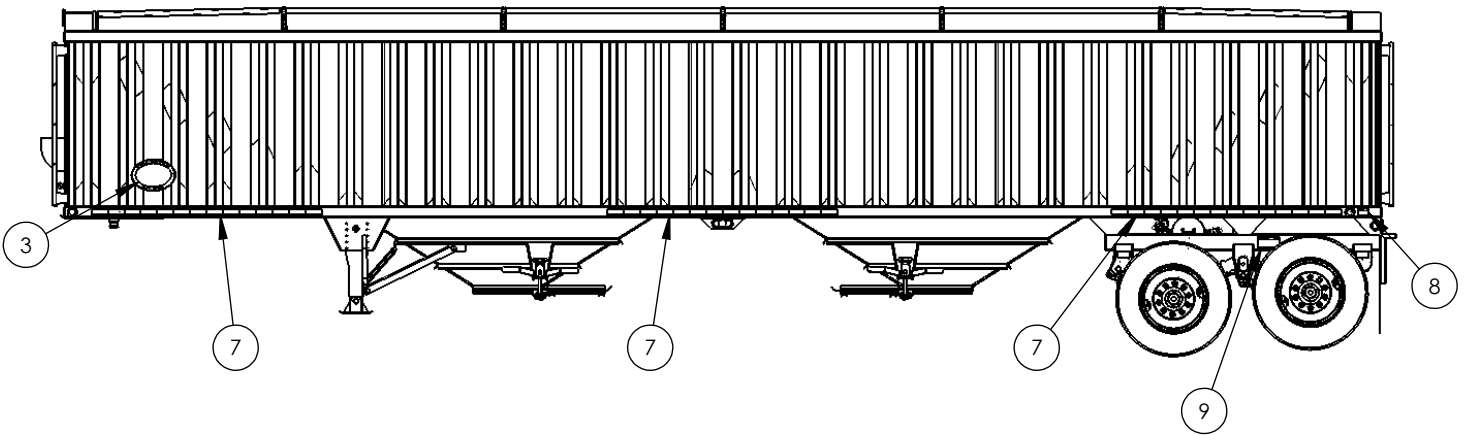
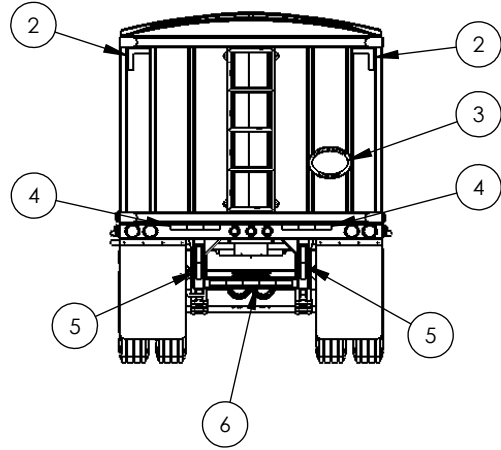
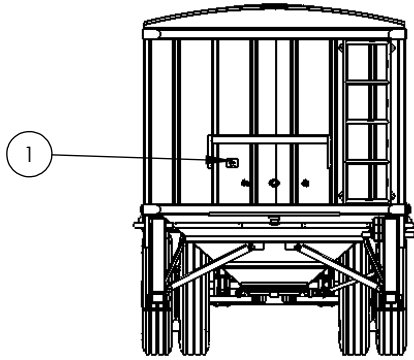
ITEM#	PART#	DESCRIPTION	QTY
1	AICHT-1242	BRAKE AIR TANK	1
2	PFT71450	PIPE PLUG, 3/8" NPT	2
3	BRS145	DRAIN VALVE, 1/4" NPT	1
4	BRK110800	EMERGENCY VALVE	1
5	PFT73325-12SV	NIPPLE, 3/4" NPT	1
6	BRS968-6-6	COMPRESSION FITTING, 3/8" TUBING - 3/8" NPT	1
7	AIC883838	3/8" AIRLINE FITTING, 3/8" NPT	16
8	BRS972-8	TEE COMPRESSION FITTING, 1/2" TUBING (2X) - 3/8" NPT	1
9	BRK4721950330	BRAKE SERVICE VALVE	1
10	BRS969-8	RIGHT ANGLE COMPRESSION FITTING, 1/2" TUBING - 3/8" NPT	1
11	PFT71452	PIPE PLUG, 3/4" NPT	1
12	PFT73325-12-8SV	NIPPLE, 3/4" NPT - 1/2" NPT	1
13	BRK4005001010	ECU, VALVE ASSEMBLY	1
14	AIC220TMP	AIR TANK MOUNTING PAD	2
15	BRK3030GTS	BRAKE AIR CHAMBER	4
16	PFT71426	STREET EL, 3/8" NPT	4
17	AICGH016	GLADHAND COUPLER, EMERGENCY	1
18	AIC55612	BULK HEAD CONNECTOR WITH WASHER AND NUT	2
19	BRS969-6	RIGHT ANGLE COMPRESSION FITTING, 3/8" TUBING - 1/4" NPT	1
20	AICGH015	GLADHAND COUPLER, SERVICE	1
21	BRS969-8-4	RIGHT ANGLE COMPRESSION FITTING, 1/2" TUBING - 1/4" NPT	1
22	MIC01-099-001	AIRLINE CLIP	14
23	MIC01-100-007	AIRLINE TO WIRE CLIP	6
24	AICH-38250-32	SERVICE BRAKE AIRLINE, FRONT AXLE	2
25	AICH-38250-32	EMERGENCY BRAKE AIRLINE, FRONT AXLE	2
26	AICH-38250-75	SERVICE BRAKE AIRLINE, REAR AXLE	2
27	AICH-38250-56	EMERGENCY BRAKE AIRLINE, REAR AXLE	2
28	AIC8-500BU-540	1/2" AIRLINE, SERVICE SUPPLY LINE	1
29	AIC8-500BU-42	1/2" AIRLINE, SERVICE VALVE TO EMERGENCY VALVE	1
30	AIC6-500RD-540	3/8" AIRLINE, EMERGENCY SUPPLY LINE	1
31	N&B4789	BOLT, 3/8-16 UNC X 1.5"	4
32	N&B1450	NUT, 3/8-16 UNC	4



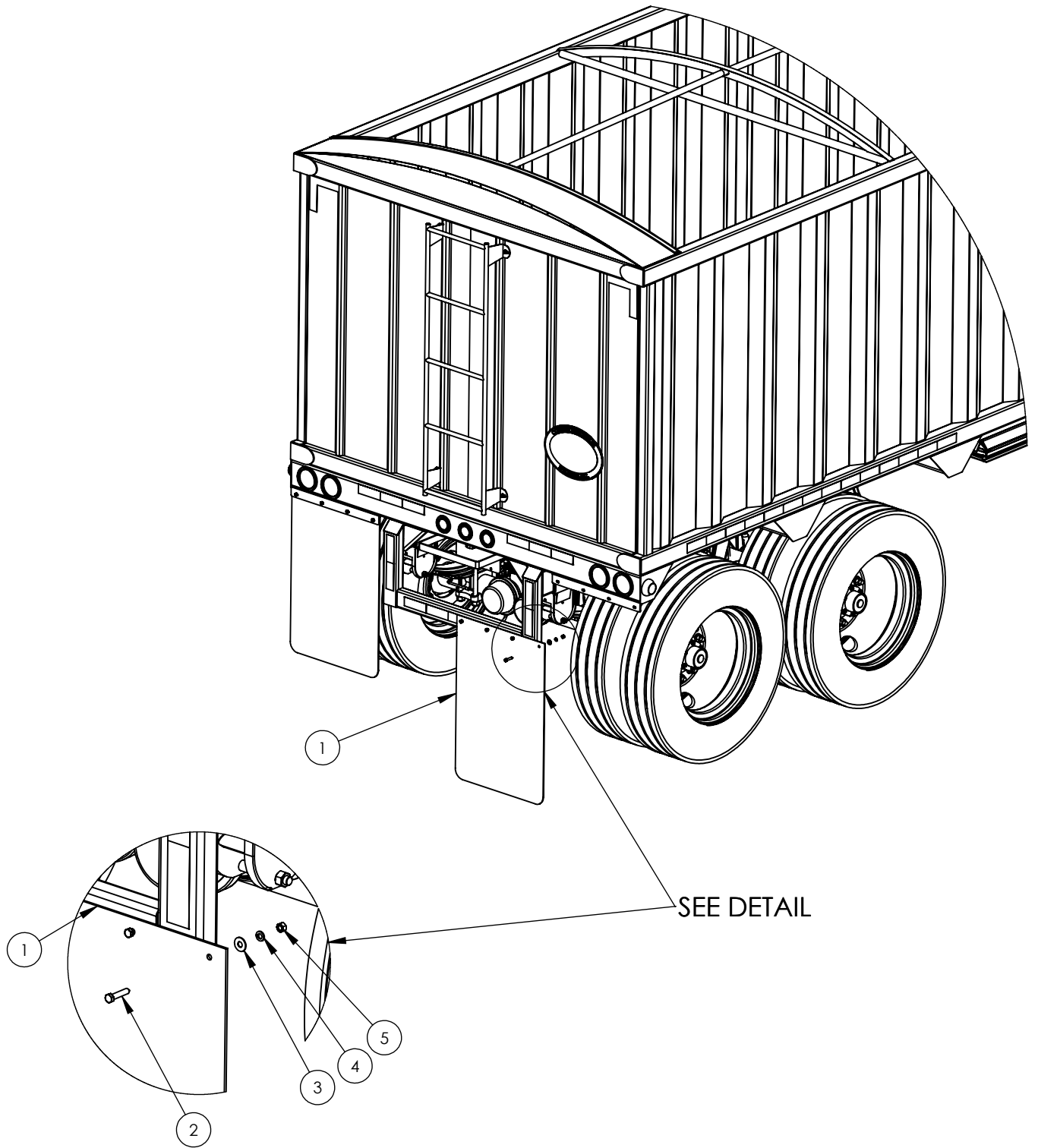
ITEM#	PART#	DESCRIPTION	QTY
1	ASY5043	FRONT TARP HEADER, ITEMS 2-6	
2	MFG0417	FRONT TARP HEADER RIB	1
3	MFG0410	FRONT TARP HEADER END PLATE	1
4	MFG0421	TARP HEADER PLATE	2
5	MFG0419	TARP HEADER FLAT STRAP	2
6	MFG0408	TARP BOW WEB, 6"	2
7	ASY5039	ROUND TUBE TARP BOW, ITEMS 8-10	
8	MFG0400	TARP BOW ROUND TUBE	4
9	MFG0406	TARP BOW WEB, 8"	5
10	MFG0404	OVAL TARP BOW TOP BAR	5
11	ASY5041	RECTANGULAR TUBE TARP BOW, ITEMS 9, 10 & 12	
12	MFG0402	TARP BOW RECTANGULAR TUBE	1
13	ASY5048	REAR TARP HEADER, ITEMS 4-6 & 14	
14	MFG0412	REAR TARP HEADER END PLATE	1
15	MFG0448	TARP RIDGE POLE	2



ITEM#	PART#	DESCRIPTION	QTY
1	MFG0383	LANDING GEAR BRACKET, LEFT	1
2	MFG0384	LANDING GEAR BRACKET, RIGHT	1
3	MIC LG5001-72	LANDING GEAR LEG, LEFT	1
4	MIC LG5001-70	LANDING GEAR LEG, RIGHT	1
5		LANDING GEAR SHAFT (SOLD WITH ITEMS 3 AND 4)	2
6	MFG0381	LANDING GEAR SPLICE SHAFT	1
7	N&B4862	BOLT, 5/8-11 UNC X1.5"	20
8	N&B5650	LOCK WASHER, 5/8"	28
9	N&B1650	NUT, 5/8-11 UNC	28
10	MIC LG03-211H	LANDING GEAR CRANK HANDLE	1
11	N&B4791	BOLT, 3/8-16 UNC X 2"	2
12	N&B3450	FLAT WASHER, 3/8"	4
13	N&B51450	LOCK NUT, 3/8-16 UNC	2
14	MFG0280	LANDING GEAR ANGLE BRACE	4
15	MFG0256	LANDING GEAR BRACE TAB	4
16		W BRACKET (SOLD WITH ITEMS 3 AND 4)	2
17	N&B4864	BOLT, 5/8-11 UNC X 2"	8



ITEM#	PART#	DESCRIPTION	QTY
1	BRK8144	AIR BRAKE ADDITIVES CAUTION DECAL, FRONT	1
2	LTS40641	REFLECTIVE CONSPICUITY TAPE, WHITE ONLY, 8" RIGHT ANGLE, REAR	2
3		CONSTRUCTION TRAILER "HARVEST MASTER" DECAL, BOTH SIDES AND REAR	3
4	LTS41050-18	REFLECTIVE CONSPICUITY TAPE, RED AND WHITE, 18", REAR LIGHT TUBE	2
5	LTS41050-12	REFLECTIVE CONSPICUITY TAPE, RED AND WHITE, 12", BUMPER	2
6	LTS41050-30	REFLECTIVE CONSPICUITY TAPE, RED AND WHITE, 30", BUMPER	1
7	LTS41050-84	REFLECTIVE CONSPICUITY TAPE, RED AND WHITE, 84", BOTH SIDES	6
8		ABS NOTICE DECAL, SHOWN SIDE ONLY	1
9		HUTCH WARNING DECAL, SHOWN SIDE ONLY	1



ITEM#	PART#	DESCRIPTION	QTY
1	MICMF1000	MUDFLAP	2
2	N&B4789	BOLT, 3/8-16 UNC X 1.5"	8
3	N&B3450	FLAT WASHER, 3/8"	8
4	N&B5450	LOCK WASHER, 3/8"	8
5	N&B1450	NUT, 3/8-16 UNC	8